

Furniture for main entrance doors

7c

Explanations	446
Overview	447
Lever handles, turnably fixed	448
Furniture for main entrance doors	450
Push and pull pad handles	456
Horizontal bar handles	463
Grip handles furniture for framed doors	466
Turnable knobs for multi-point locks	472
Fixing accessories	473

Furniture for main entrance doors

The architectural hardware sector – including FSB – has for decades been marketing a veritable plethora of custom fittings for main entrance doors, to wit door knobs, door pulls, armoured roses and security furniture in all materials and all manner of designs. You'd think the market had been sated.

Not a bit of it though. An article in the supplement to the weekly newspaper DIE ZEIT of 31 March 1995 observes: 'Same doors, handles, conservatories, carports everywhere. Be it in Munich or Münster, Darmstadt or Stuttgart, owneroccupiers are a force for uniformity in their unitary housing.'

But help is at hand for our beleaguered author. FSB commissioned its in-house designer Hartmut Weise to come up with some new ideas for main entrance doors. Hartmut Weise already presented four design conceptions for the penultimate Manual. Two more followed for the last Manual.

The first four handles for main entrance doors by Hartmut Weise retain the distinctive axially slanted grip from his 1995 pull-handle collection, but forego the droplet-shaped cross section in favour of an elliptical form.

Mr. Weise was intent on ensuring that the hand would be able to exert the necessary force despite the vertical styling.

These handles are available in silver anodised or colour-coated aluminium and in stainless steel. They are through-fixed by means of 6 mm bolts that fasten onto a rugged backplate on the inside.

The internal backplate also acts as a bearing for the lever handle. The fancy coverplate on the inside can be supplied in either aluminium, colour-coated aluminium or stainless steel.

Two further main-door pull handles by Hartmut Weise incorporate a design idea from the 50's. At that time, any number of doors were adorned with sinuous extruded handles. Refining this seasoned style gave rise to an integrated pull handle/backplate design.

In this case, too, handles are through fixed using 6mm bolts that engage in a heavyduty backplate on the inside. The latter additionally supports the lever handle and its bushing.

These two designs are exclusively available in aluminium. A matching aluminium lever handle and coverplate have been selected for the inside. If so desired, however, the internal furniture may be made of stainless steel, brass or colour-coated aluminium.

This comprehensive new package is augmented by pull, knob and lever handle furniture on oval and angular narrow-frame backplates, pull-handle furniture with a selection of fittings, and push/pull handles with armoured cylinders.

Before ordering please always check that the situation allows for sufficient mortise depth as well as the necessary backset.

When fitting the new pulls for main entrance and entrance doors, FSB recommends reinforcing the cylinder by means of round, oval or angular armoured roses.

Overview

- Aluminium
 AluGrey
 Stainless steel
 Bronze
 Brass
 Alu + Colour



7000
Page 448



7000
Page 449



6108
Page 458



6109
Page 458



6137
Page 459



6181
Page 460



6184
Page 460



6254
Page 461



6268
Page 461



6755
Page 462



6756
Page 462



6110
Page 456



6111
Page 456



6112
Page 457



6113
Page 457



7802
Page 454



7803
Page 455



7871
Page 450



7872
Page 451



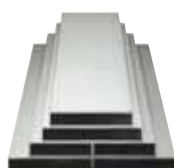
7873
Page 452



7874
Page 453



6460 , 6475
Page 465



6840
Page 464



6676
Page 463



0313 – 0325
Page 473



7816
Page 466



7816
Page 467



7816
Page 468



7816
Page 469



7820
Page 470



7820
Page 471



0418
Page 472

Lever handles
turnably fixed



7000 0001

- Aluminium
- Stainless steel

10 mm □-hole

Model FSB 1070



7000 0002

- Aluminium
- Stainless steel

10 mm □-hole

Model FSB 1146

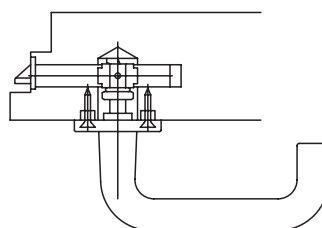


7000 0003

- Aluminium
- Stainless steel

10 mm □-hole

Model FSB 1076



Single fixed lever handles for entrance doors incl. solid sub-roses.

FSB spindle 0104 necessary, see page 546.

Lever handles
turnably fixed



7000 0004

- Aluminium
- Stainless steel

10 mm □-hole

Model FSB 1023



7000 0232

- Aluminium
- Stainless steel

10 mm □-hole

Model FSB 1107

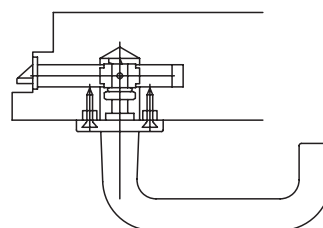


7000 0233

- Aluminium
- Stainless steel

10 mm □-hole

Model FSB 1108



Single fixed lever handles for entrance doors incl. solid sub-roses.

FSB spindle 0104 necessary, see page 546.

Furniture for
main entrance doors

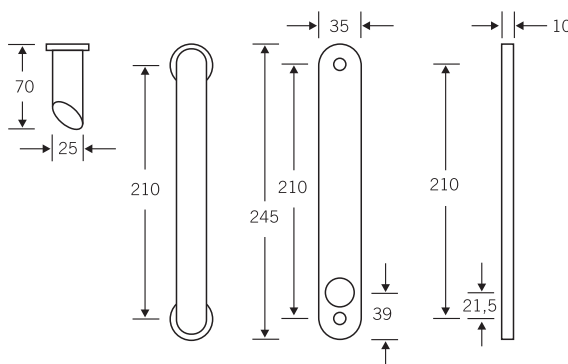
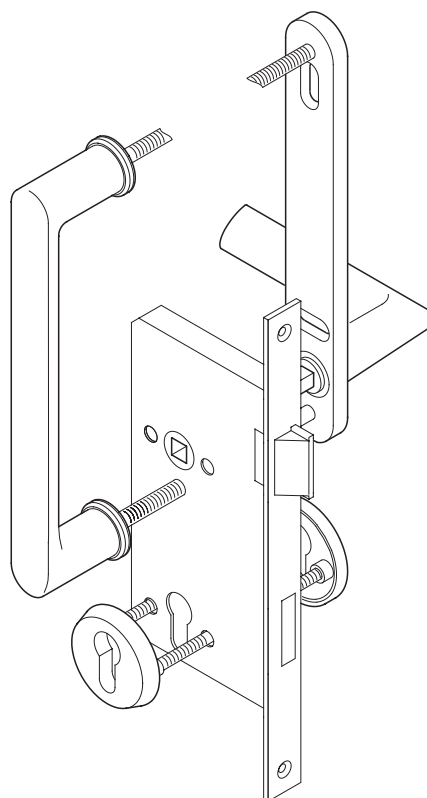


Illustration r.h.,
Handing details, cf. page 566.
Safety clearance 45 mm

7871

- Aluminium
- Stainless steel

The order code covers external pull and internal backplate plus lever handle FSB 1025. You will additionally need to order an FSB Stabil-half-spindle for doors drilled from one side only (p. 546) and an FSB armoured rose (p. 442).



Order details:

spindle thickness: 8 or 10 mm
door thickness mm

7871 24 r.h.
7871 25 l.h.

Furniture for
main entrance doors

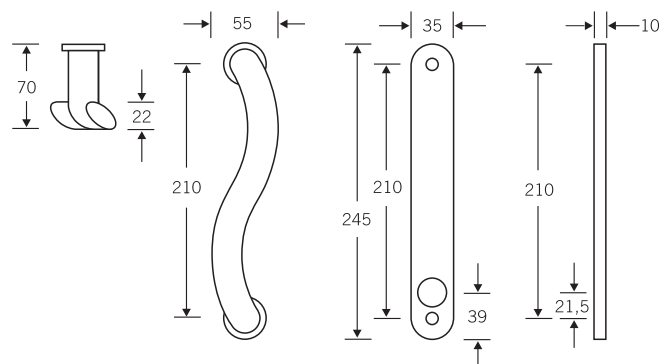
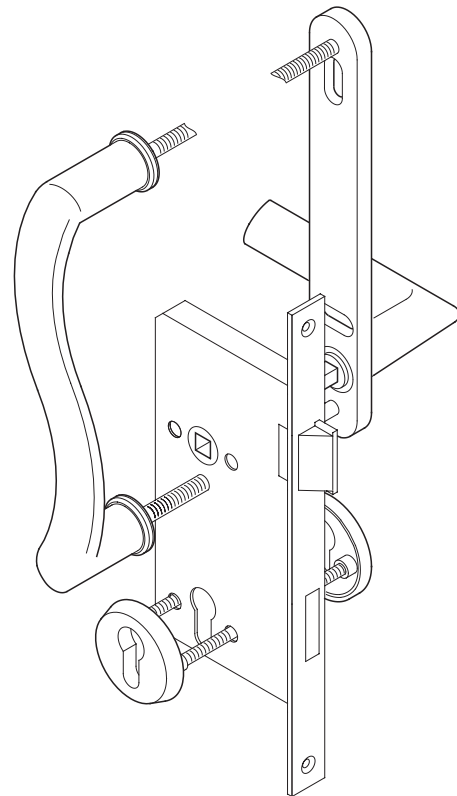


Illustration r.h.,
Handing details, cf. page 566.
Safety clearance 60 mm

7872

- Aluminium
- Stainless steel

The order code covers external pull and internal backplate plus lever handle FSB 1028. You will additionally need to order an FSB Stabil-half-spindle for doors drilled from one side only (p. 546) and an FSB armoured rose (p. 442).



Order details:

spindle thickness: 8 or 10 mm
door thickness . . . mm

7872 24 r.h.
7872 25 l.h.

Furniture for
main entrance doors

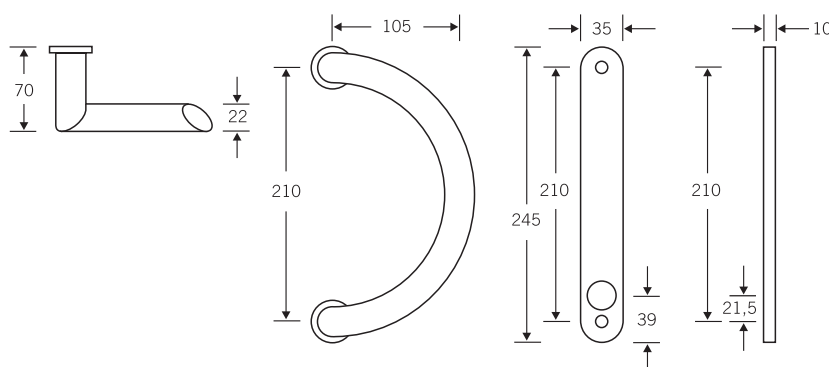
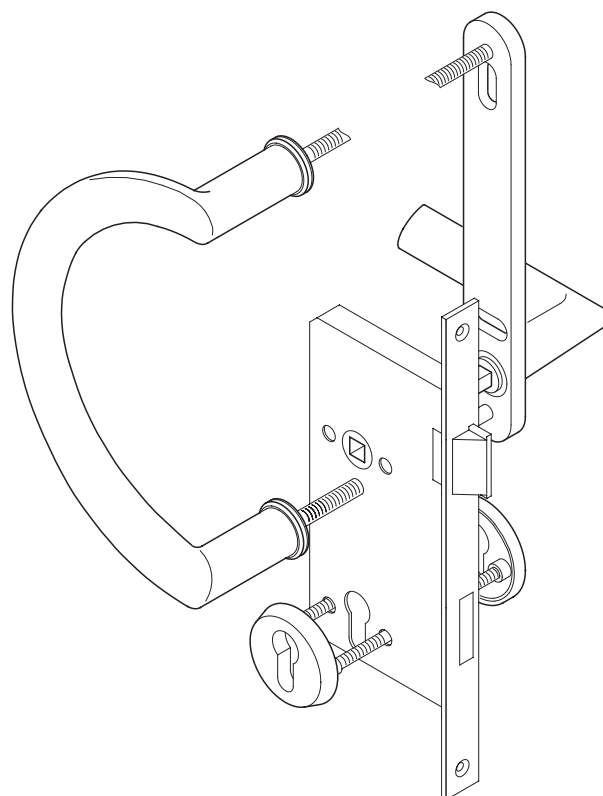


Illustration r.h.,
Handing details, cf. page 566.
Safety clearance 48 mm

7873

- Aluminium
- Stainless steel

The order code covers external pull and internal backplate plus lever handle FSB 1025. You will additionally need to order an FSB Stabil-half-spindle for doors drilled from one side only (p. 546) and an FSB armoured rose (p. 442).



Order details:

spindle thickness: 8 or 10 mm
door thickness mm

7873 24 r.h.
7873 25 l.h.

Furniture for main entrance doors



7874

- Aluminium
- Stainless steel

The order code covers external pull and internal backplate plus lever handle FSB 1025. You will additionally need to order an FSB Stabil-half-spindle for doors drilled from one side only (p. 546) and an FSB armoured rose (p. 442).

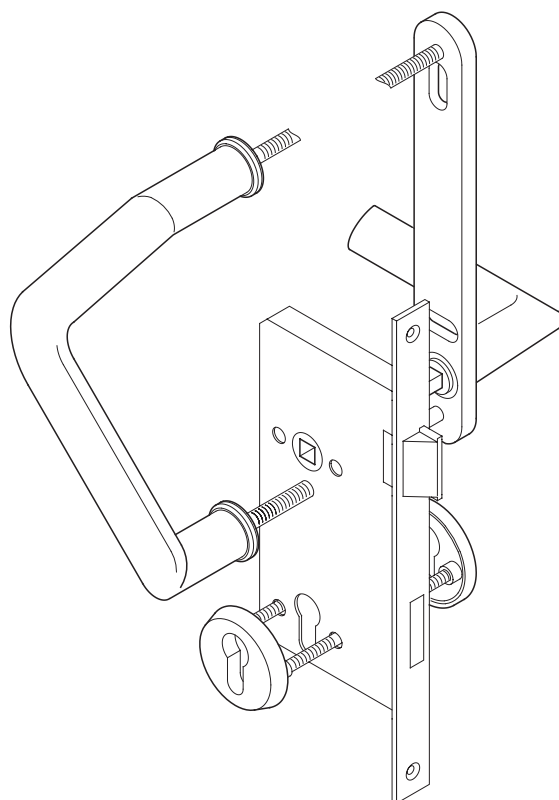
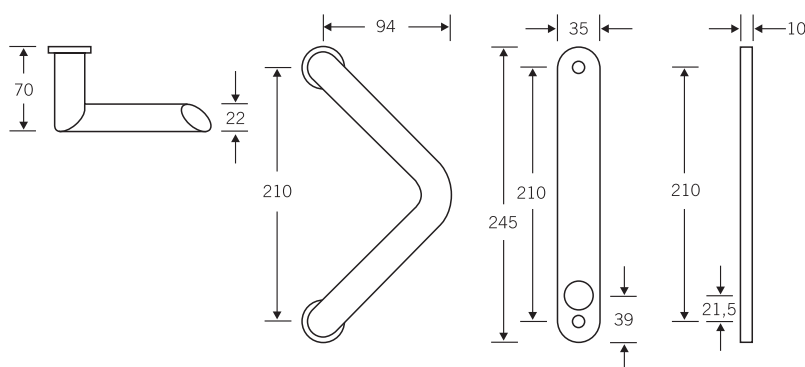


Illustration r.h.,
Handing details, cf. page 566.
Safety clearance 48 mm



Order details:

spindle thickness: 8 or 10 mm
door thickness . . . mm

7874 24 r.h.
7874 25 l.h.

Furniture for
main entrance doors

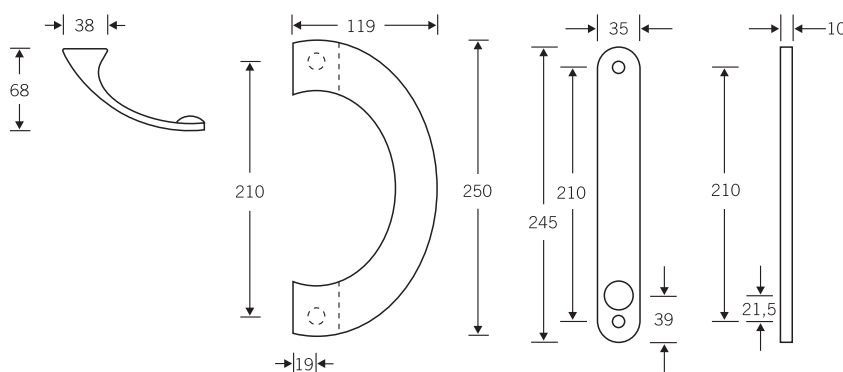
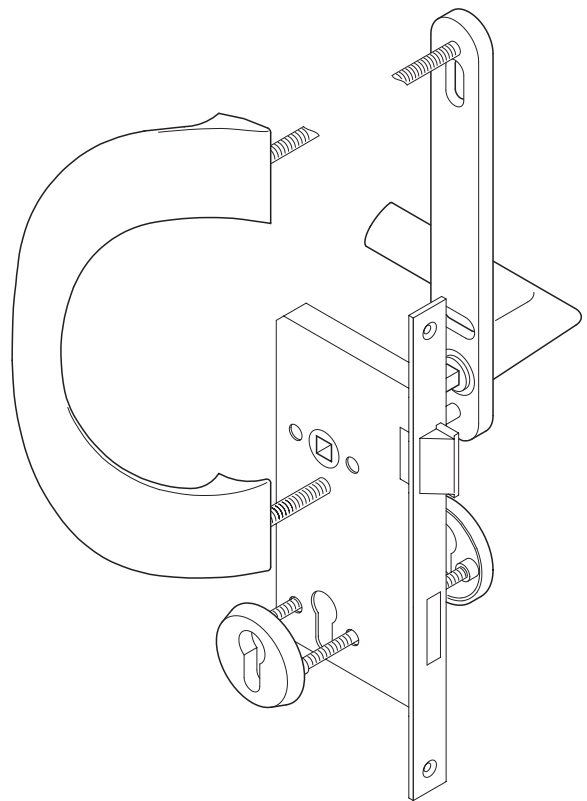


Illustration r.h.,
Handing details, cf. page 566.
Safety clearance 48 mm

7802

■ Aluminium

The order code covers external pull and internal backplate plus lever handle FSB 1010. You will additionally need to order an FSB Stabil-half-spindle for doors drilled from one side only (p. 546) and an FSB armoured rose (p. 442).



Order details:

spindle thickness: 8 or 10 mm
door thickness mm

Furniture for
main entrance doors

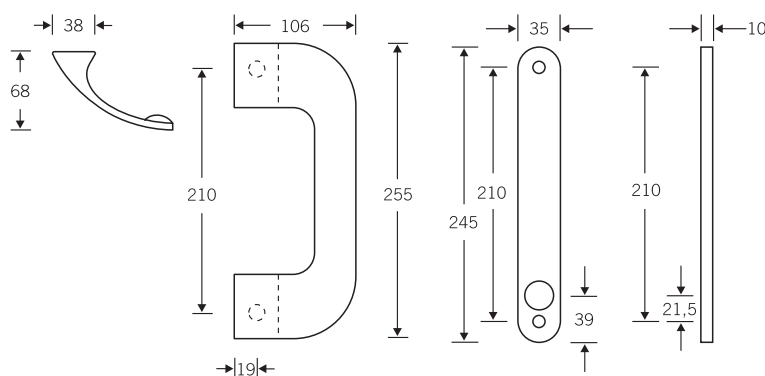
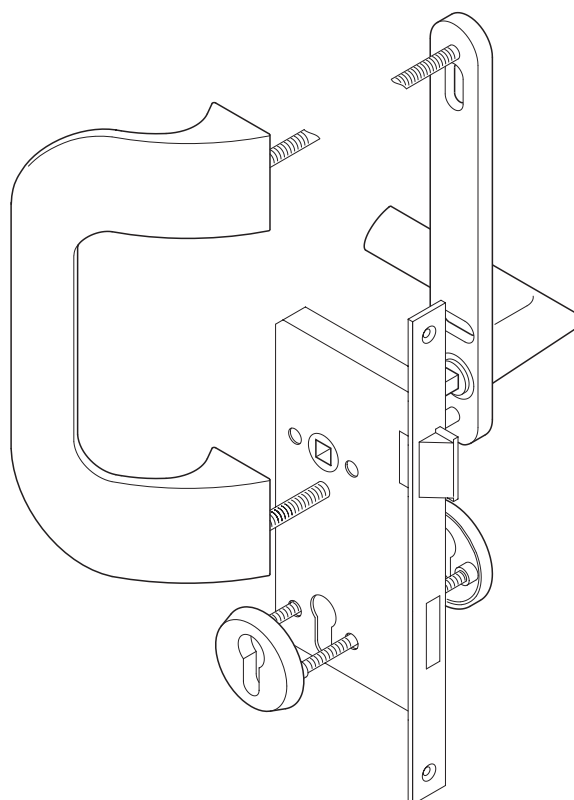
7803

■ Aluminium

The order code covers external pull and internal backplate plus lever handle FSB 1108. You will additionally need to order an FSB Stabil-half-spindle for doors drilled from one side only (p. 546) and an FSB armoured rose (p. 442).



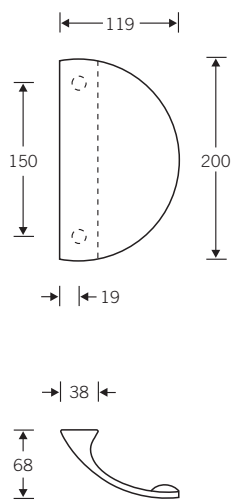
Illustration r.h.,
Handing details, cf. page 566.
Safety clearance 48 mm



Order details:

spindle thickness: 8 or 10 mm
door thickness mm

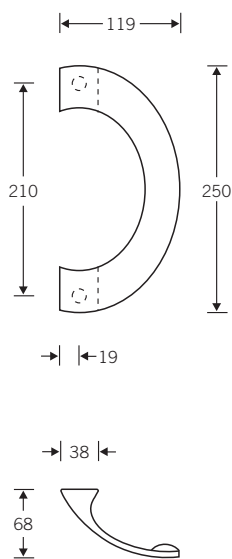
Push and pull pad handles



6110

Aluminium

Fixing M6

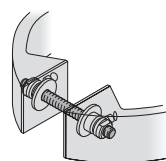


6111

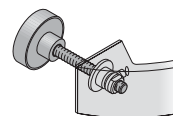
Aluminium

Fixing M6

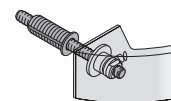
For detailed information on fixing, please turn to page 421, fixing accessories cf. page 473.



back to back fixing

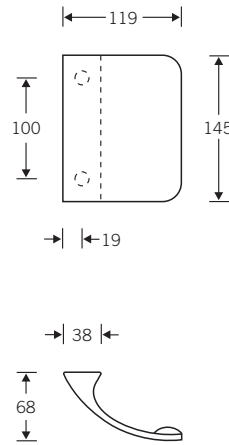


bolt through-fixing

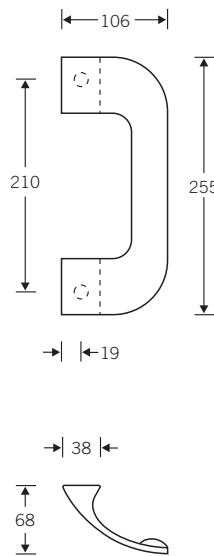


secret single side fixing with expansion plug

Push and pull pad handles

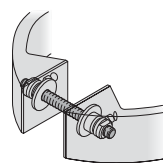


6112
 ■ Aluminium
 Fixing M6

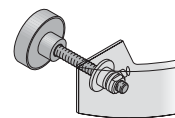


6113
 ■ Aluminium
 Fixing M6

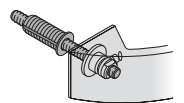
For detailed information on fixing, please turn to page 421, fixing accessories cf. page 473.



back to back fixing

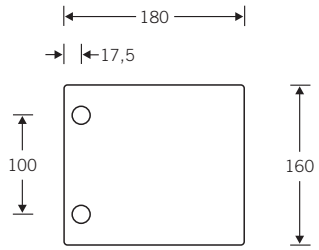


bolt through-fixing



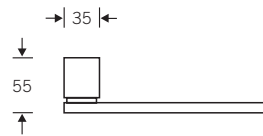
secret single side fixing with expansion plug

Push and pull pad handles



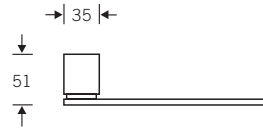
6108

Fixing M8

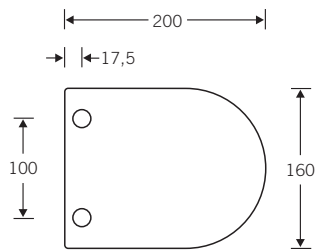


Available in:

Bracket Aluminium 01,
Pad Aluminium 01

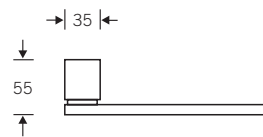


Bracket Aluminium 01,
Pad Stainless steel



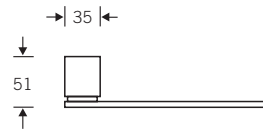
6109

Fixing M8



Available in:

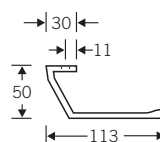
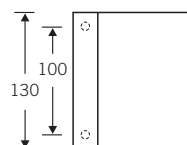
Bracket Aluminium 01,
Pad Aluminium 01



Bracket Aluminium 01,
Pad Stainless steel

The round M8 fixing sets are suitable for these pad handles. For details page 416. Fixing accessories, cf. page 473.

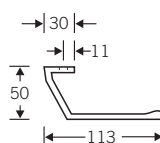
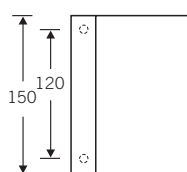
Push and pull pad handles



6137 31

■ Aluminium

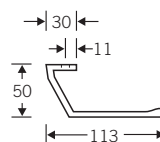
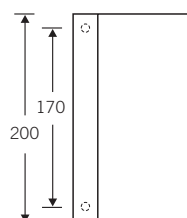
c:c screw holes 100 mm



6137 32

■ Aluminium

c:c screw holes 120 mm



6137 34

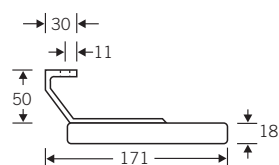
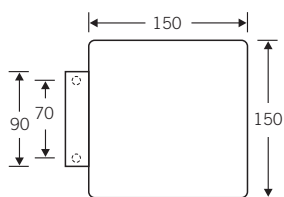
■ Aluminium

c:c screw holes 170 mm

Screw hole \varnothing 8.5 mm
Engravings, cf. page 237.

Fixing accessories,
cf. page 473.

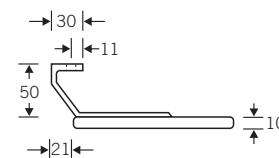
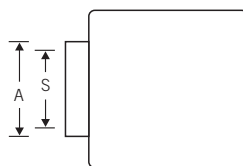
Push and pull pad handles



6184 62

■ Aluminium

Plastic-Pad, black



6181 62

■ Aluminium

Pad 150 x 150 mm
Dimension A 90 mm
c:c screw holes 70 mm

6181 70

■ Aluminium

Pad 180 x 180 mm
Dimension A 120 mm
c:c screw holes 100 mm

6181 74

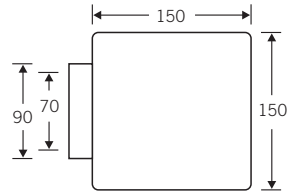
■ Aluminium

Pad 200 x 200 mm
Dimension A 120 mm
c:c screw holes 100 mm

Fixing accessories,
cf. page 473.

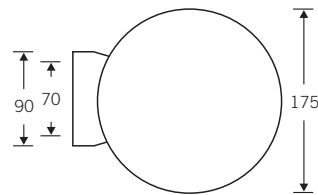
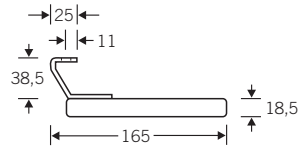
Screw hole \varnothing 8.5 mm
Engravings, cf. page 237.

Push and pull
pad handles



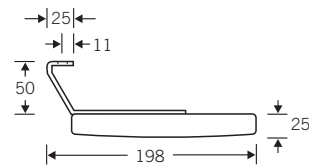
6254 62

■ Stainless steel



6268

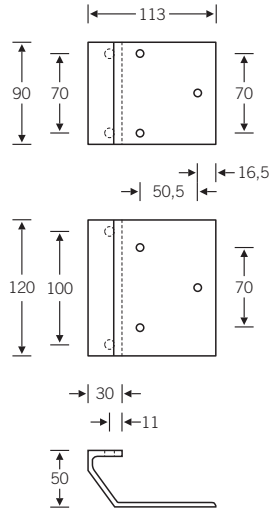
■ Stainless steel



Fixing accessories,
cf. page 473.

Screw hole \varnothing 8.5 mm

Brackets for pad handles
and horizontal bar handles



6755 27

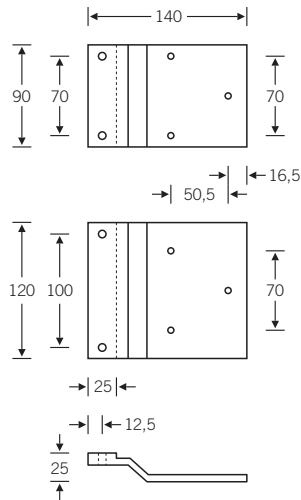
■ Aluminium

Screw hole Ø 8.5 mm
Screw hole Ø 5.3 mm (pad)

6755 29

■ Aluminium

Screw hole Ø 8.5 mm
Screw hole Ø 5.3 mm (pad)



6756 27

■ Aluminium

Screw hole Ø 6.5 mm
Screw hole Ø 5.3 mm (pad)

6756 29

■ Aluminium

Screw hole Ø 6.5 mm
Screw hole Ø 5.3 mm (pad)

Bracket models FSB 6755 and 6756 are the support modules for custom-design pad and horizontal bar handles. Handle designs in timber, plastic and metal can be securely fastened to these support brackets by means of three bolts fitted from the back.

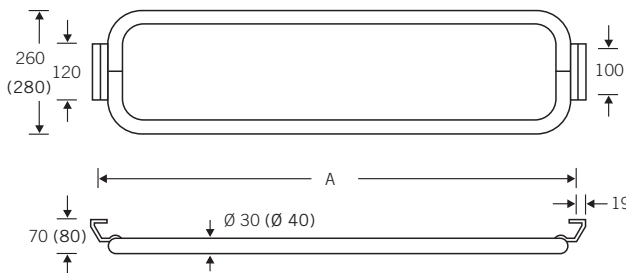
Fixing accessories, cf. page 473.

Pull handles with cranked brackets

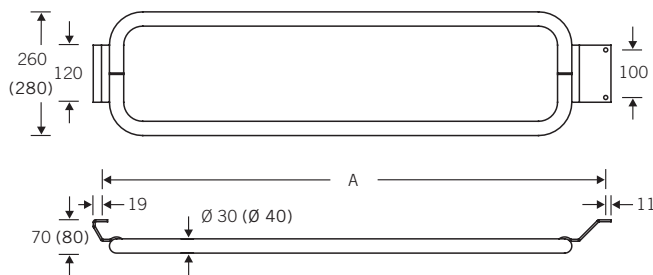


- Aluminium
- Stainless steel

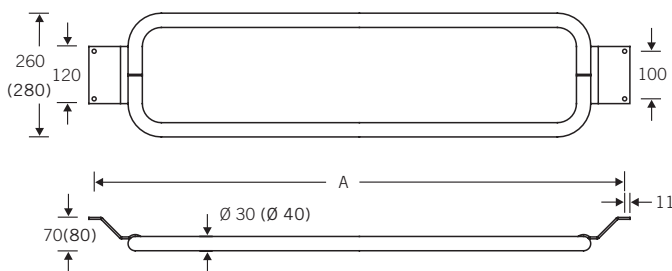
Screw hole \varnothing 8.5 mm



- 6676 02 \varnothing 30 mm
- 6686 02 \varnothing 40 mm



- 6676 03 \varnothing 30 mm
- 6686 03 \varnothing 40 mm



- 6676 04 \varnothing 30 mm
- 6686 04 \varnothing 40 mm

Fixing accessories,
cf. page 473.

Sections and support brackets for horizontal bar handles

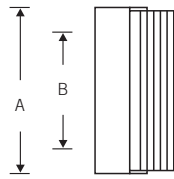
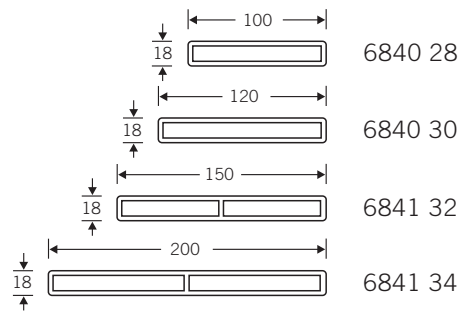


6840

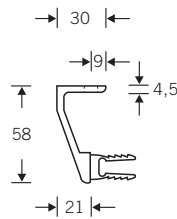
6841

■ Aluminium

The illustrated sections are available in stock lengths of 4.000 mm.



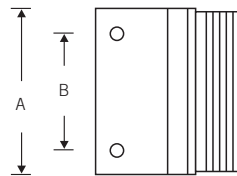
Screw hole \varnothing 6.5 mm



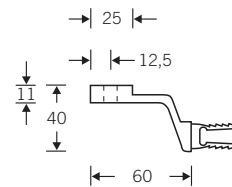
6763

■ Aluminium

Sizes in mm	A	B
28	100	70
30	120	100
32	150	120
34	200	170



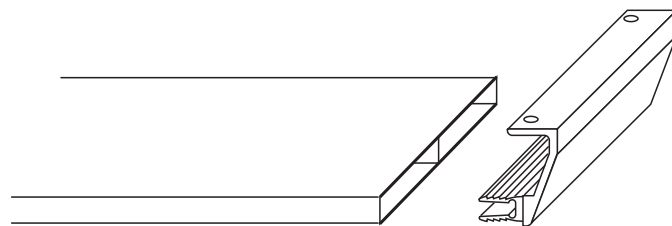
Screw hole \varnothing 6.5 mm



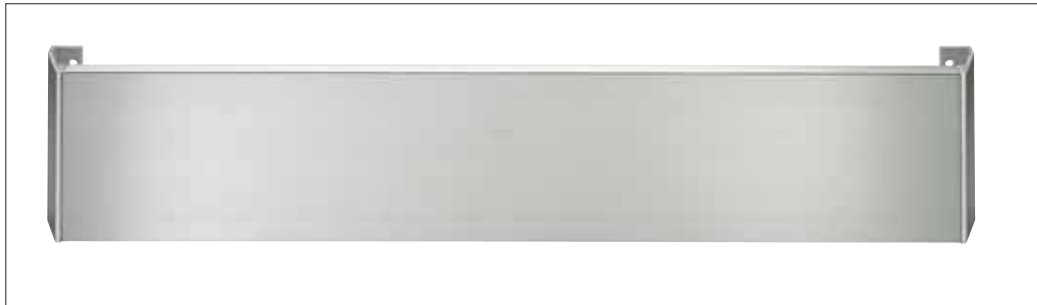
6769

■ Aluminium

Sizes in mm	A	B
28	100	70
30	120	100
32	150	120
34	200	170



Horizontal bar handles

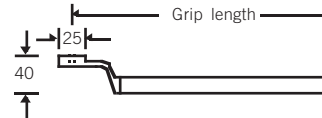
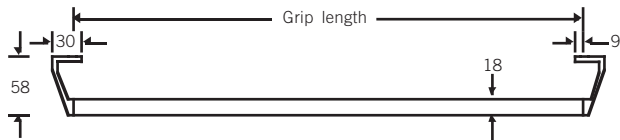


6460

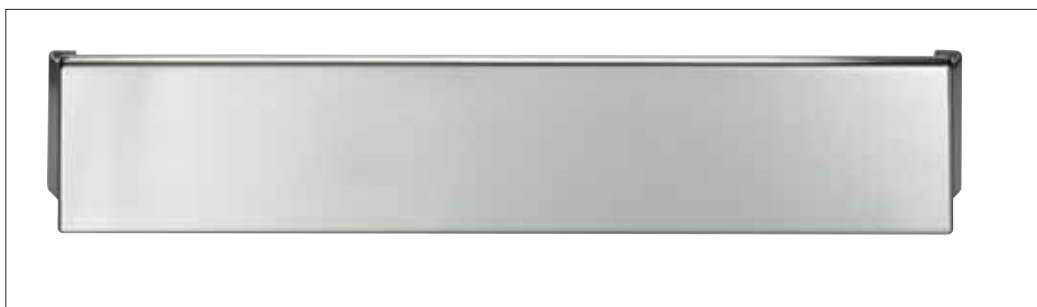
Aluminium

Screw hole \varnothing 6.5 mm

Sizes in mm	A	B
0028	100	70
0030	120	100
0032	150	120
0034	200	170



Cranked brackets for swing doors

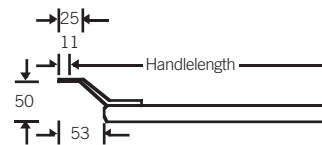
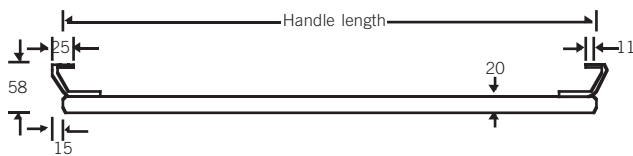
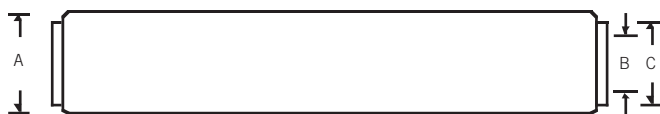


6475

Stainless steel

Screw hole \varnothing 8.5 mm

Sizes in mm	A	B	C
0030	120	70	100
0032	150	100	120



Cranked brackets for swing doors

Sizes in mm	A	B	C
0130	120	70	100
0132	150	100	120

Fixing accessories, cf. page 473.

Grip handle furniture for framed doors



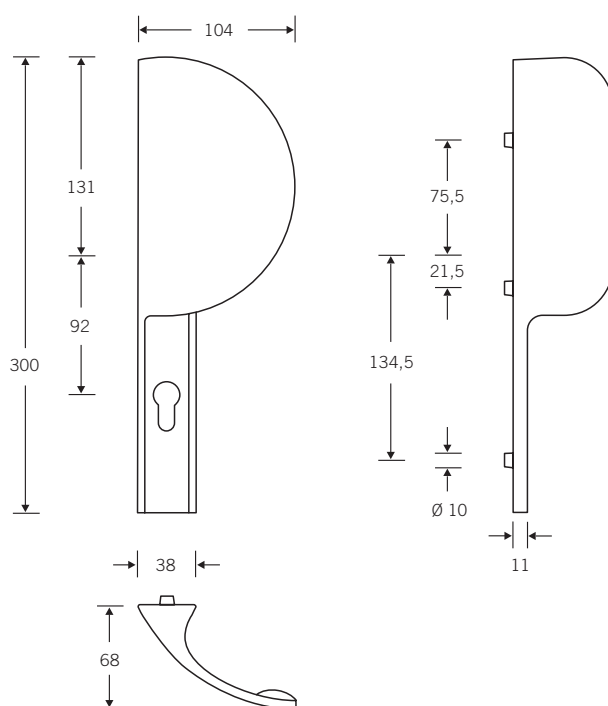
Illustration l.h.,
handing details, cf. page 566.

7816

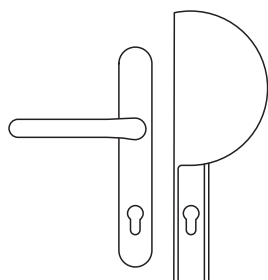
Aluminium

Grip handle furniture
with concealed fixing

7816 07 r.h.
7816 08 l.h.



Item nos.:



7816 07 r.h.
7816 08 l.h.

Order details:

spindle thickness: 8 or 10 mm
door thickness mm

Grip handle furniture
for framed doors



7816

■ Aluminium

Grip handle furniture
with concealed fixing

7816 11 r.h.
7816 12 l.h.

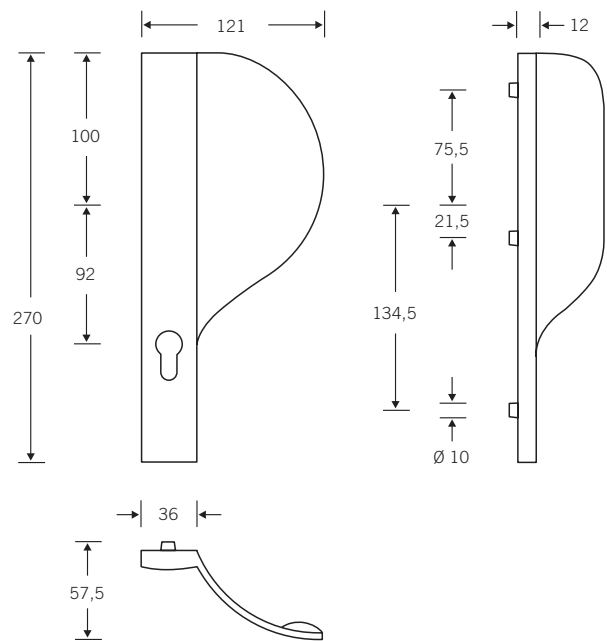
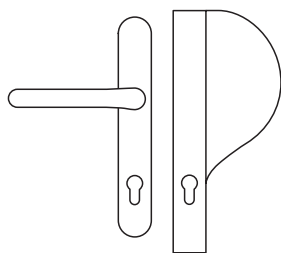


Illustration l.h.,
handing details, cf. page 566.

Item nos.:



7816 11 r.h.
7816 12 l.h.

Order details:

spindle thickness: 8 or 10 mm
door thickness mm

Lever handle furniture for framed doors

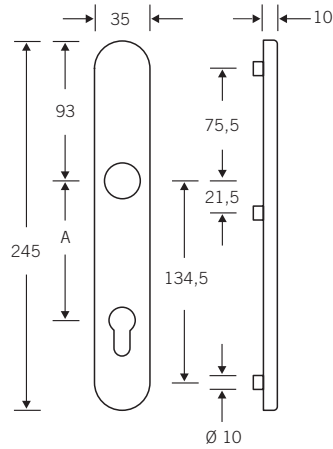
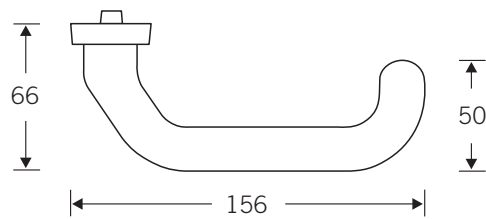


7816

- Aluminium
- Alu + Colour
- Stainless steel

7816 18

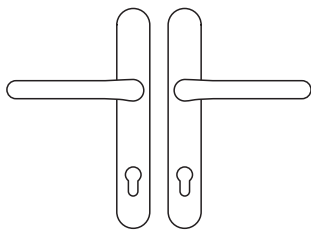
- Aluminium
- Alu + Colour
- Stainless steel



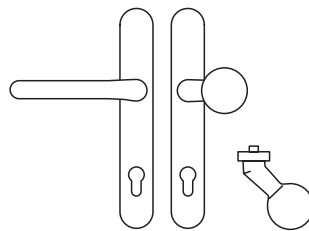
Lever handle furniture for framed doors fixed on an oval backplate, with concealed fixing
 8 mm □-hole and support mechanism
 9 mm □-hole for fire and smoke stop doors
 Size A spacing 72 mm and 92 mm PZ

Necessary order details: - spindle thickness (8, 9 or 10 mm)
 - door thickness in mm
 - PZ spacing

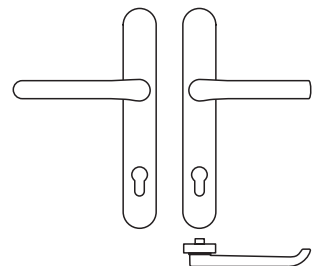
Item nos.:



Lever handle furniture
 7816 01
 7816 18



Entrance door furniture
 7816 13



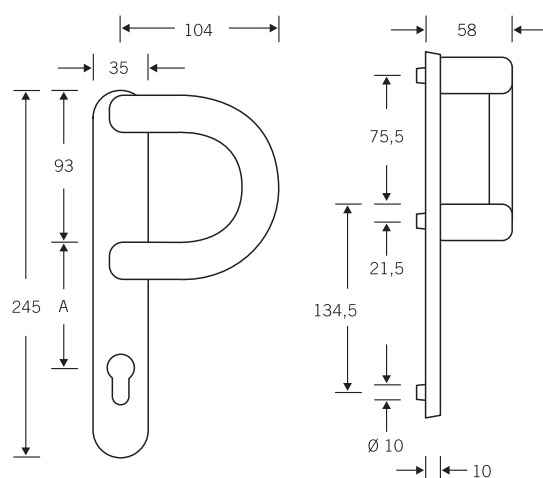
Balcony door furniture
 7816 02

Standard fittings
 Fire door fittings

Grip handle furniture for framed doors

7816 09

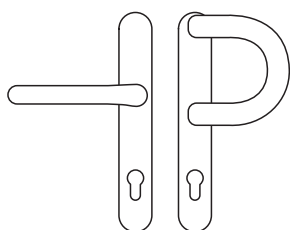
- Aluminium
- Alu + Colour



Gripp handle furniture for framed doors
on an oval backplate, with concealed fixing
an support mechanism
8 mm \square -hole
Size A spacing 72 mm and 92 mm PZ

Necessary order details: - spindle thickness (8 or 10 mm)
- door thickness in mm
- PZ spacing

Item nos.:



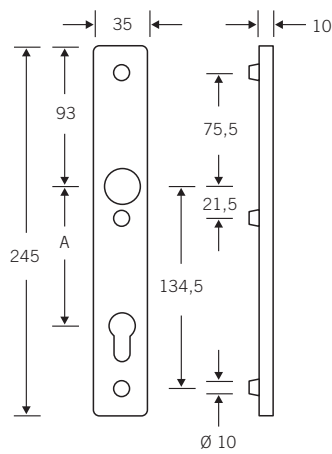
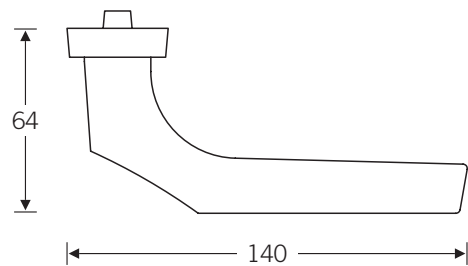
Grip handle furniture
7816 09

Lever handle furniture for framed doors



7820

- Aluminium
- Alu + Colour

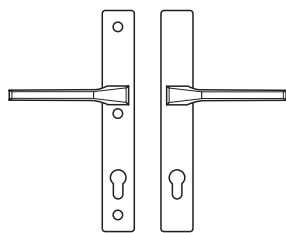


Lever handle furniture for framed doors on an angular backplate, concealed fixing on one side
 8 mm □-hole
 Size A spacing 72 mm and 92 mm PZ

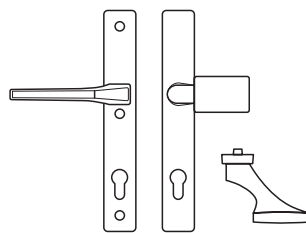
Necessary order details: - spindle thickness (8 or 10 mm)
 - door thickness in mm
 - PZ spacing

Illustration inner backplate

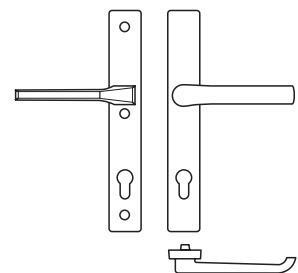
Item nos.:



Lever handle furniture
7820 01



Entrance door furniture
7820 13

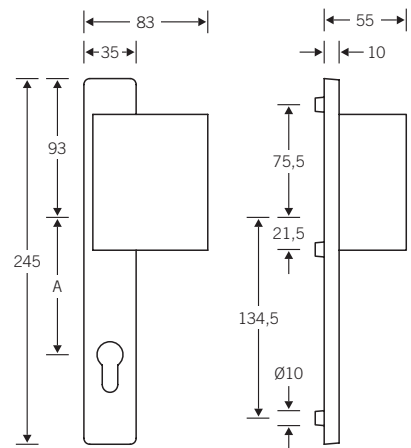
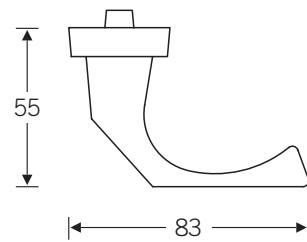


Balcony door furniture
7820 02

Grip handle furniture for framed doors

7820 03

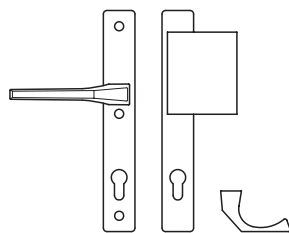
■ Aluminium



Grip handle furniture for framed doors on an angular backplate,
concealed fixing on one side
8 mm □-hole
Size A spacing 72 mm and 92 mm PZ

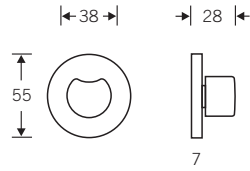
Necessary order details: - spindle thickness (8 or 10 mm)
- door thickness in mm
- PZ spacing

Item nos.:



7820 03

Turnable knobs for multi-point locks

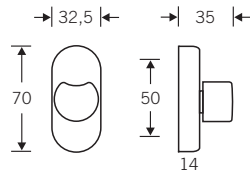


0418 02

- Aluminium
- Stainless steel

8 mm □

Spindle projecting
standard 40 mm



0418 03

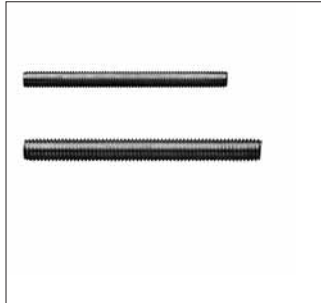
- Aluminium
- Stainless steel

8 mm □

Spindle projecting
standard 40 mm

For the deployment on multi-point locks, FSB supplies an easy-action turnable knob on a circular or oval rose for concealed face fixing.

Fixing accessories



0313

Steel studs

0313 0670 M6 x 70 mm
0313 0680 M6 x 80 mm

0313 0880 M8 x 80 mm

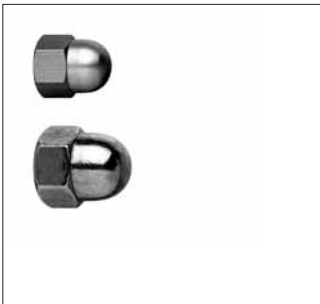


0316

Steel studs - for timber fixing

0316 0640 M6

0316 0840 M8



0319

Aluminium dome nuts

0319 0600 M6
0319 0800 M8

Stainless steel dome nuts

0319 0800 M8



0320

Aluminium and Stainless steel dome nuts

0320 0800 M8



0325

Aluminium

Blind nuts with 12 mm neck

0325 0600 M6

0325 0800 M8

