

Security fittings

Overview	426
Technical information	427
Design + Security	428
Security fittings for framed doors	440
Protection roses	442

● New products 06/07

Aluminium
 Bronze
 Alu + Colour
 Brass
 Stainless steel

Overview



7330
Page 440



7330
Page 440



7331
Page 441



7331
Page 441



7374
Page 438



7377
Page 439



7376
Page 432



7375
Page 433



7381
Page 428



7382
Page 429



7383
Page 430



7384
Page 431



7385
Page 434



7386
Page 435



7387
Page 436



7388
Page 437



3244
Page 442



3246
Page 442



7391
Page 442



7393
Page 442



7395
Page 443



7395
Page 443

Design + Security

Criminal statistics show that doors and windows are the most popular points of entry for intruders. Police and insurance sources therefore advise paying special attention to ensuring doors and windows are secure.

The industry has taken appropriate measures in this respect. German industrial standards drawn up to aid orientation include "Burglar-resistant windows, doors and additional barriers" (DIN 18 103) and "Builders hardware and security furniture (concepts and definitions, dimensions, requirements, testing and labelling)" (DIN 18 257).

Alongside this, the newest standards pr. EN 1906 and DIN V ENV 1627 - 1630 have been developed.

FSB wonders whether this purely technical approach is the only one that is viable and answers this rhetorical question with the "Design + Security" product offering. With this design-driven deal, FSB takes the worry out of security for architects, interior designers, joiners and end-users. In the first instance they buy what appeals to them; only then do they specify the level of protection they want. We've dubbed it "Design + Security". Having opted for a particular design, all you have to do is tick Security Class box 2 or 4. FSB will then slot the security technology selected into the design package chosen.

Gone are the days when you had to make do with the cheapest design if you wanted the lowest security rating and the best designs were only to be had for the top rating. FSB is turning the tables. Only once a

given design has been chosen the purchaser's must decide the appropriate security rating to be chosen.

The FSB design range is spaciouly and clearly set out on following pages. Browse through at your leisure until you're sure which one pleases you most. Next to the design selection you will find a technical question sheet on which you are asked to tick the technical specifications you desire. Simple as that.

For the technically curious, we explain the essence of the four security ratings alongside:

Security class 2 (EN 1906) open version
 (ES-1 K Reg.-No. 4X078)
 (ES-1 L Reg.-No. 4X076)

Strength of backplates 10 kN
 Maximum flexion ≤ 5 mm
 Tensile f. of fastening 15 kN
 Max. deformation ≤ 5 mm
 Resistance to drilling 30 s
 Chisel test resistance 3 blows

Security class 2 (EN1906) with anti-tamper device (ZA)
 (ES-1 K-ZA Reg.-No. 4X077)
 (ES-1 L-ZA Reg.-No. 4X079)

Strength 10 kN
 Maximum flexion ≤ 5 mm
 Tensile f. of fastening 15 kN
 Max. deformation ≤ 5 mm
 Resistance to drilling 30 s
 Chisel test resistance 3 blows
 Strength of ZA 10 kN

Security class 4 (EN 1906) with anti-tamper device (ZA)
 (ES-3 L-ZA Reg.-No. 4X081)

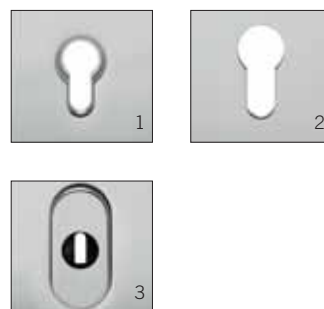
Strength 20 kN
 Maximum flexion ≤ 5 mm
 Tensile f. of fastening 30 kN
 Max. deformation ≤ 5 mm
 Resistance to drilling 5 min
 Chisel test resistance 12 blows
 Strength of ZA 20 kN

In Security Class 2 in an open (Fig. 2) or anti-tamper version (ZA) (Fig. 3), all design options are available with either standard backplates or one of two types of shorter backplates. FSB also supplies a version with roses on the inside of the door for this Security Class. In the open versions, cylinder projections of from 11 (Fig. 1) to 15 mm (Fig. 2) are catered for. Cylinder projections of between 8-16 mm are catered for in the anti-tamper version (ZA).

The engineering specifications set forth in respect of the Class 2 anti-tamper variant (ZA) are likewise applicable to Security Class 4.

FSB's "Design + Security" hardware package draws on a proven laminar construction technique developed in-house that is now a benchmark within the industry.

The level of security laid down in the relevant standards is enhanced from class to class through the exchange and addition of materials.



Technical refinement of FSB's new security concept was achieved with the able help of the Engineering chair at Paderborn University/Polytechnic and the Finite Element Method (FEM) practised there. FSB security hardware is supplied as standard for the following door thicknesses:

Internal doors	40 - 42 mm
Main entrance doors	67 - 69 mm
Fire doors	53 - 57 mm

Besides standard-compliant security fittings, FSB also supplies other items of architectural hardware with preventive capabilities. These include:

- circular armoured roses, open version, 10 - 16,5 mm thick
- circular armoured roses with anti-tamper devices (ZA), 12,5 - 16,5 mm thick
- rectangular and oval armoured roses with anti-tamper devices, 16 mm thick
- rectangular and oval slide-on roses 6, 9 and 14 mm thick

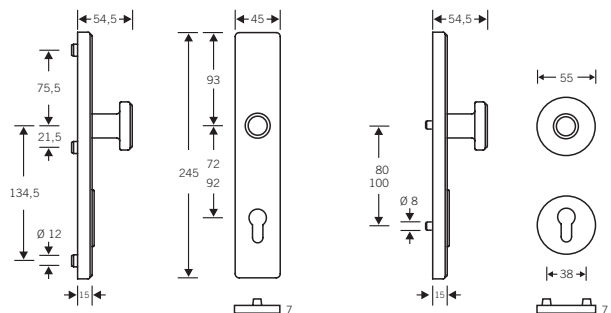
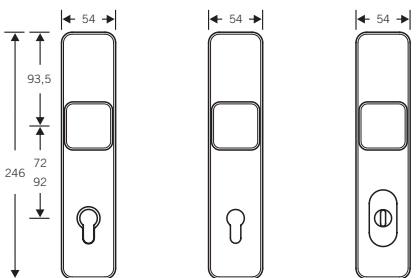
These anti-bandit features are designed to frighten off would-be burglars or at the very least to make breaking in an extremely arduous undertaking.

Security fitting Design 7381



- Standard door Design 7381
- Fire and smoke-stop door Design 7581 (only Stainless steel)
- Type of furniture Knob Lever handle
- Inside execution Backplate Roses
- Security class backplate furniture S2 11 mm
- S2 15 mm
- S2 - ZA 8 - 16 mm
- S4 - ZA 8 - 16 mm
- Security Class rose furniture S2 11 mm
- S2 15 mm
- S2 - ZA 8 - 16 mm
- Handing of door DIN r.h., inward opening
- DIN l.h., inward opening
- to suit door thickness _____ mm
- Spacing 72 mm 92 mm
- 72 mm
- Spindle 8 mm 10 mm
- 9 mm
- Material/Colour Aluminium 01 _____
- Alu + Colour white _____
- Stainless steel 6204 _____

Order quantity _____ sets

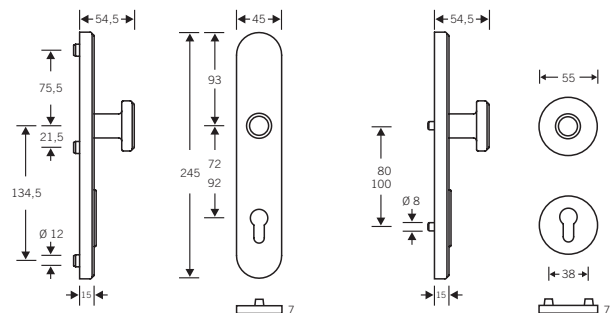
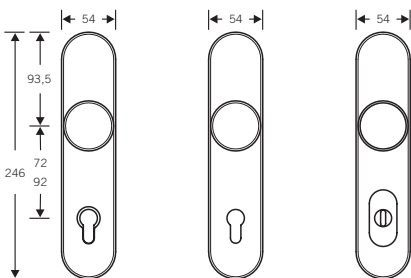


Security fitting Design 7382



- Standard door Design 7382
- Fire and smoke-stop door Design 7582 (only Stainless steel)
- Type of furniture Knob Lever handle
- Inside execution Backplate Roses
- Security class S2 11 mm
- backplate furniture S2 15 mm
- S2 - ZA 8 - 16 mm
- S4 - ZA 8 - 16 mm
- Security Class rose furniture S2 11 mm
- S2 15 mm
- S2 - ZA 8 - 16 mm
- Handing of door DIN r.h., inward opening
- DIN l.h., inward opening
- _____ mm
- to suit door thickness 72 mm 92 mm
- Spacing 72 mm
- 8 mm 10 mm
- Spindle 9 mm
- Material/Colour Aluminium 01 _____
- Alu + Colour white _____
- Stainless steel 6204 _____

Order quantity _____ sets

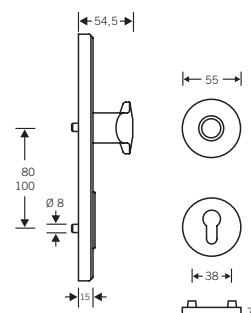
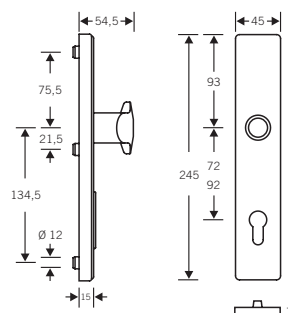
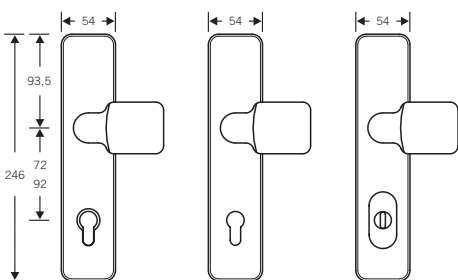


Security fitting Design 7383



- Standard door Design 7383
- Fire and smoke-stop door Design 7583 (only Stainless steel)
- Type of furniture Knob Lever handle
- Inside execution Backplate Roses
- Security class backplate furniture S2 11 mm
 S2 15 mm
 S2 - ZA 8 - 16 mm
 S4 - ZA 8 - 16 mm
- Security Class rose furniture S2 11 mm
 S2 15 mm
 S2 - ZA 8 - 16 mm
- Handing of door DIN r.h., inward opening
 DIN l.h., inward opening
- to suit door thickness _____ mm
- Spacing 72 mm 92 mm
 72 mm
- Spindle 8 mm 10 mm
 9 mm
- Material/Colour Aluminium 01 _____
 Alu + Colour white _____
 Stainless steel 6204 _____

Order quantity _____ sets

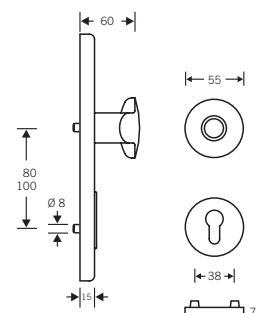
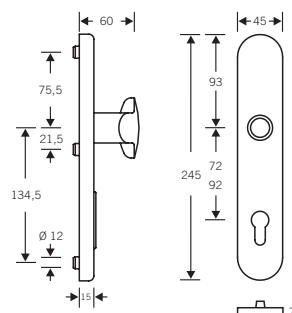
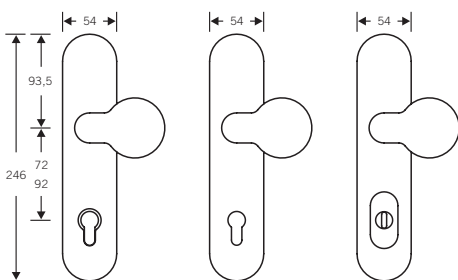


Security fitting Design 7384



- Standard door Design 7384
Fire and smoke-stop door **Design 7584**
- Type of furniture Knob Lever handle
- Inside execution Backplate Roses
- Security class backplate furniture S2 11 mm
 S2 15 mm
 S2 - ZA 8 - 16 mm
 S4 - ZA 8 - 16 mm
- Security Class rose furniture S2 11 mm
 S2 15 mm
 S2 - ZA 8 - 16 mm
- Handing of door DIN r.h., inward opening
 DIN l.h., inward opening
- to suit door thickness _____ mm
- Spacing 72 mm 92 mm
 72 mm
- Spindle 8 mm 10 mm
 9 mm
- Material/Colour Aluminium 01 _____
 Alu + Colour white _____
 Stainless steel 6204 _____

Order quantity _____ sets

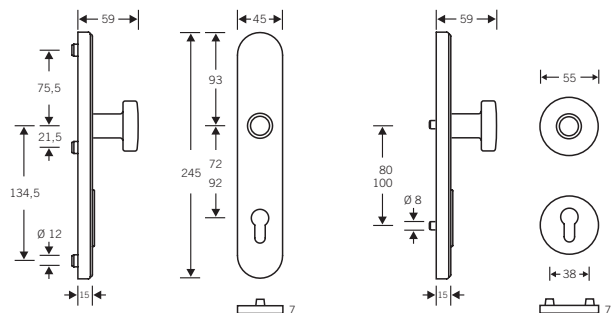
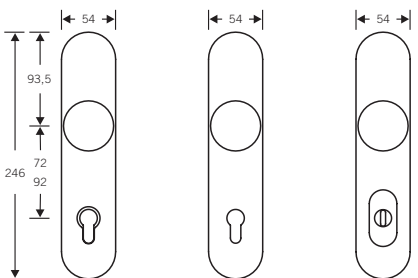


Security fitting Design 7376



- Standard door Design 7376
Fire and smoke-stop door Design 7576
- Type of furniture Knob
- Inside execution Backplate Roses
- Security class backplate furniture S2 11 mm
 S2 15 mm
 S2 - ZA 8 - 16 mm
 S4 - ZA 8 - 16 mm
- Security Class rose furniture S2 11 mm
 S2 15 mm
 S2 - ZA 8 - 16 mm
- Handing of door DIN r.h., inward opening
 DIN l.h., inward opening
- to suit door thickness _____ mm
- Spacing 72 mm 92 mm
72 mm
- Spindle 8 mm 10 mm
9 mm
- Material/Colour Aluminium 01 _____
 Alu + Colour white _____
 Stainless steel 6204 _____

Order quantity _____ sets



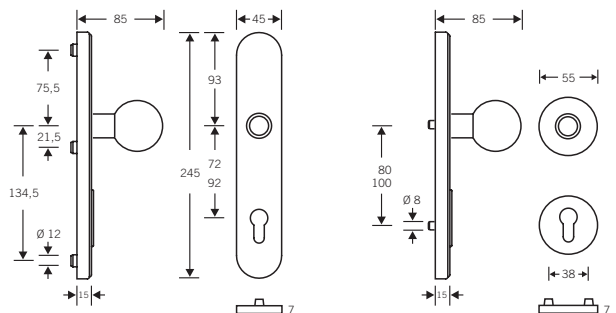
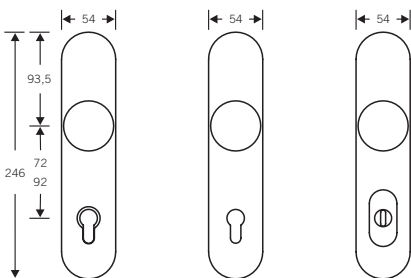
Security fitting Design 7375



- Standard door Design 7375
- Fire and smoke-stop door Design 7575 (only Stainless steel)
- Type of furniture Knob
- Inside execution Backplate Roses
- Security class backplate furniture
 - S2 11 mm
 - S2 15 mm
 - S2 - ZA 8 - 16 mm
 - S4 - ZA 8 - 16 mm
- Security Class rose furniture
 - S2 11 mm
 - S2 15 mm
 - S2 - ZA 8 - 16 mm
- Handing of door
 - DIN r.h., inward opening
 - DIN l.h., inward opening
- to suit door thickness _____ mm
- Spacing
 - 72 mm 92 mm
 - 72 mm
- Spindle
 - 8 mm 10 mm
 - 9 mm
- Material/Colour

<input checked="" type="checkbox"/> Aluminium	<input type="checkbox"/> 01	<input type="checkbox"/> _____
<input type="checkbox"/> Alu + Colour	<input type="checkbox"/> white	<input type="checkbox"/> _____
<input checked="" type="checkbox"/> Stainless steel	<input type="checkbox"/> 6204	<input type="checkbox"/> _____

Order quantity _____ sets



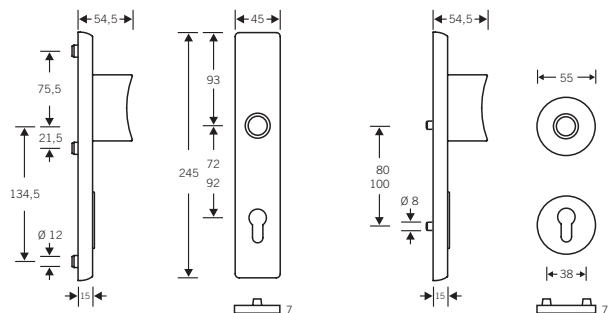
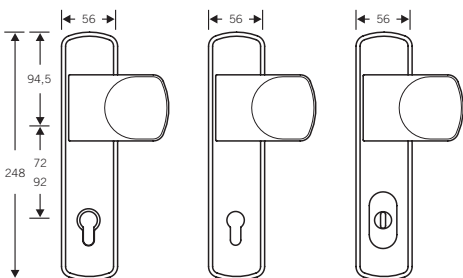
Security fitting Design 7385



- Standard door
 - Standard door Design 7385
 - Fire and smoke-stop door Design 7585 (only Stainless steel)
- Type of furniture
 - Knob
 - Lever handle
- Inside execution
 - Backplate
 - Roses
- Security class backplate furniture
 - S2 11 mm
 - S2 15 mm
 - S2 - ZA 8 - 16 mm
 - S4 - ZA 8 - 16 mm
- Security Class rose furniture
 - S2 11 mm
 - S2 15 mm
 - S2 - ZA 8 - 16 mm
- Handing of door
 - DIN r.h., inward opening
 - DIN l.h., inward opening
- to suit door thickness _____ mm
- Spacing
 - 72 mm
 - 72 mm
 - 92 mm
- Spindle
 - 8 mm
 - 9 mm
 - 10 mm
- Material/Colour

<input checked="" type="checkbox"/> Aluminium	<input type="checkbox"/> 01	<input type="checkbox"/> _____
<input type="checkbox"/> Alu + Colour	<input type="checkbox"/> white	<input type="checkbox"/> _____
<input checked="" type="checkbox"/> Stainless steel	<input type="checkbox"/> 6204	<input type="checkbox"/> _____

Order quantity _____ sets

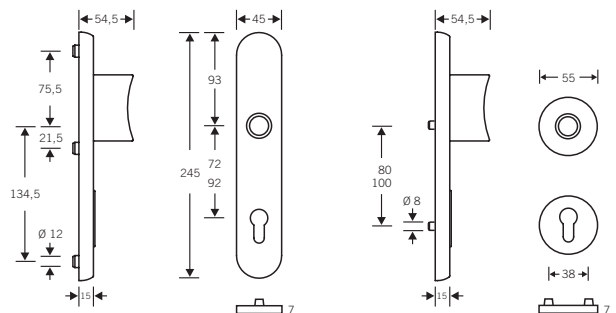
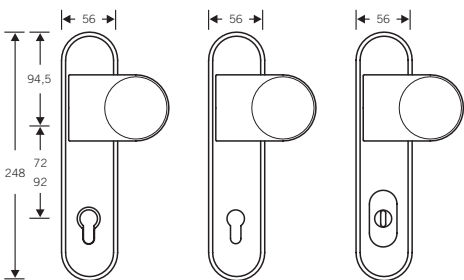


Security fitting Design 7386



- Standard door Design 7386
Fire and smoke-stop door **Design 7586 (only Stainless steel)**
- Type of furniture Knob Lever handle
- Inside execution Backplate Roses
- Security class backplate furniture S2 11 mm
 S2 15 mm
 S2 - ZA 8 - 16 mm
 S4 - ZA 8 - 16 mm
- Security Class rose furniture S2 11 mm
 S2 15 mm
 S2 - ZA 8 - 16 mm
- Handing of door DIN r.h., inward opening
 DIN l.h., inward opening
- to suit door thickness _____ mm
- Spacing 72 mm 92 mm
 72 mm
- Spindle 8 mm 10 mm
 9 mm
- Material/Colour Aluminium 01 _____
 Alu + Colour white _____
 Stainless steel 6204 _____

Order quantity _____ sets

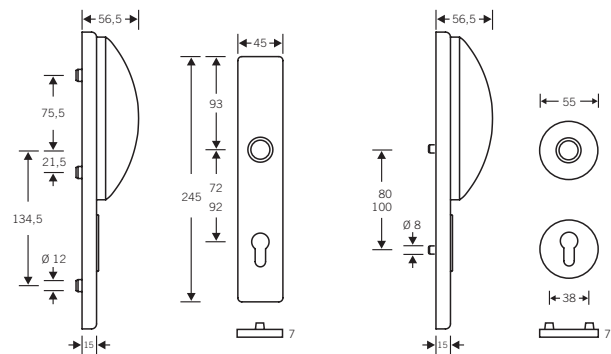
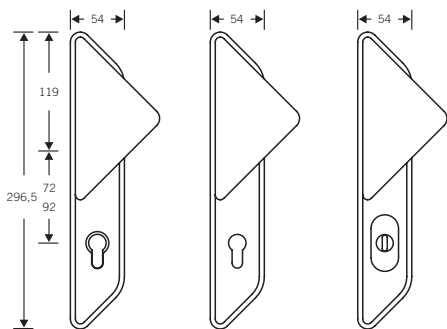


Security fitting Design 7387



- | | |
|------------------------------------|--|
| Standard door | <input type="checkbox"/> Design 7387 |
| Fire and smoke-stop door | <input checked="" type="checkbox"/> Design 7587 (only Stainless steel) |
| Type of furniture | <input type="checkbox"/> Knob <input type="checkbox"/> Lever handle |
| Inside execution | <input type="checkbox"/> Backplate <input type="checkbox"/> Roses |
| Security class backplate furniture | <input type="checkbox"/> S2 11 mm |
| | <input type="checkbox"/> S2 15 mm |
| | <input type="checkbox"/> S2 - ZA 8 - 16 mm |
| | <input type="checkbox"/> S4 - ZA 8 - 16 mm |
| Security Class rose furniture | <input type="checkbox"/> S2 11 mm |
| | <input type="checkbox"/> S2 15 mm |
| | <input type="checkbox"/> S2 - ZA 8 - 16 mm |
| Handing of door | <input type="checkbox"/> DIN r.h., inward opening
<input type="checkbox"/> DIN l.h., inward opening |
| to suit door thickness | _____ mm |
| Spacing | <input type="checkbox"/> 72 mm <input type="checkbox"/> 92 mm |
| | <input checked="" type="checkbox"/> 72 mm |
| Spindle | <input type="checkbox"/> 8 mm <input type="checkbox"/> 10 mm |
| | <input checked="" type="checkbox"/> 9 mm |
| Material/Colour | <input type="checkbox"/> Aluminium <input type="checkbox"/> 01 <input type="checkbox"/> _____ |
| | <input type="checkbox"/> Alu + Colour <input type="checkbox"/> white <input type="checkbox"/> _____ |
| | <input checked="" type="checkbox"/> Stainless steel <input type="checkbox"/> 6204 <input type="checkbox"/> _____ |
| | |

Order quantity _____ sets

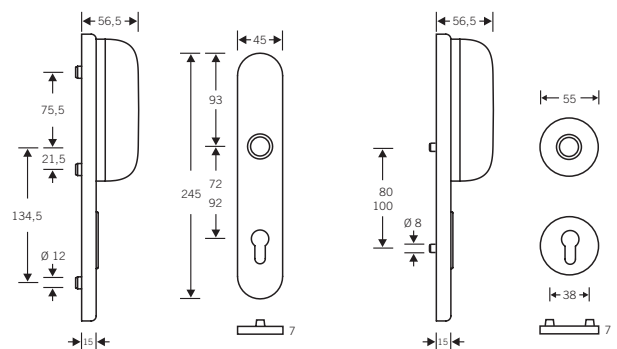
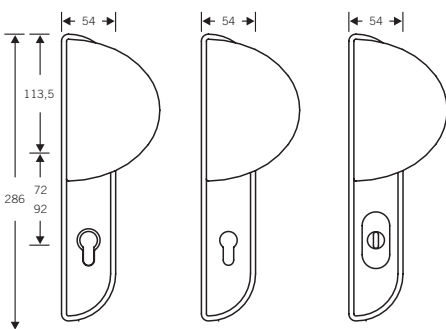


Security fitting Design 7388



- Standard door Design 7388
Fire and smoke-stop door **Design 7588 (only Stainless steel)**
- Type of furniture Knob Lever handle
- Inside execution Backplate Roses
- Security class backplate furniture S2 11 mm
 S2 15 mm
 S2 - ZA 8 - 16 mm
 S4 - ZA 8 - 16 mm
- Security Class rose furniture S2 11 mm
 S2 15 mm
 S2 - ZA 8 - 16 mm
- Handing of door DIN r.h., inward opening
 DIN l.h., inward opening
- to suit door thickness _____ mm
- Spacing 72 mm 92 mm
 72 mm
- Spindle 8 mm 10 mm
 9 mm
- Material/Colour Aluminium 01 _____
 Alu + Colour white _____
 Stainless steel 6204 _____

Order quantity _____ sets

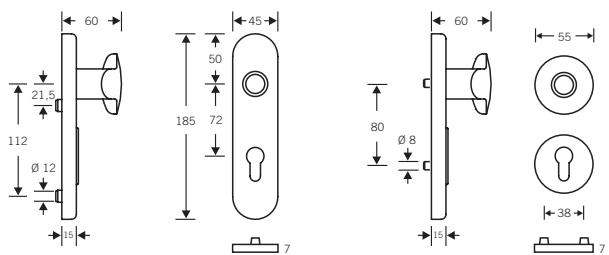
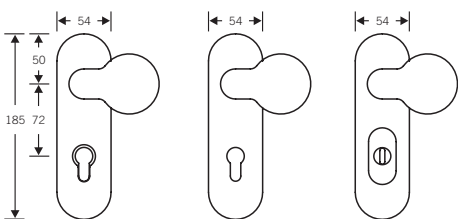


Security fitting Design 7374



- | | |
|--------------------------|--|
| Standard door | <input type="checkbox"/> Design 7374 |
| Fire and smoke-stop door | <input type="checkbox"/> Design 7574 |
| Type of furniture | <input type="checkbox"/> Knob <input type="checkbox"/> Lever handle |
| Inside execution | <input type="checkbox"/> Backplate <input type="checkbox"/> Roses |
| Security class | <input type="checkbox"/> S2 11 mm |
| | <input type="checkbox"/> S2 15 mm |
| | <input type="checkbox"/> S2 - ZA 8 - 16 mm |
| Handing of door | <input type="checkbox"/> DIN r.h., inward opening |
| | <input type="checkbox"/> DIN l.h., inward opening |
| to suit door thickness | _____ mm |
| Spacing | <input type="checkbox"/> 72 mm |
| Spindle | <input type="checkbox"/> 8 mm <input checked="" type="checkbox"/> 9 mm |
| Material/Colour | <input type="checkbox"/> Aluminium <input type="checkbox"/> 01 <input type="checkbox"/> _____ |
| | <input type="checkbox"/> Alu + Colour <input type="checkbox"/> white <input type="checkbox"/> _____ |
| | <input checked="" type="checkbox"/> Stainless steel <input type="checkbox"/> 6204 <input type="checkbox"/> _____ |
| | |

Order quantity _____ sets

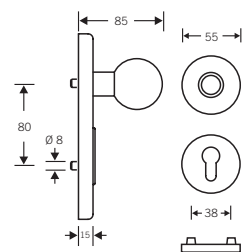
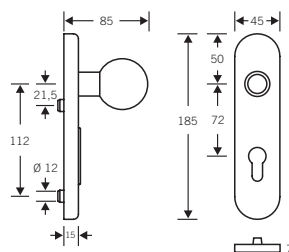
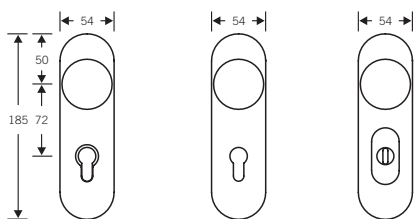


Security fitting Design 7377



- Standard door Design 7377
- Fire and smoke-stop door Design 7577
- Type of furniture Knob
- Inside execution Backplate Roses
- Schutzklasse S2 11 mm
- S2 15 mm
- S2 - ZA 8 - 16 mm
- Handing of door DIN r.h., inward opening
- DIN l.h., inward opening
- to suit door thickness _____ mm
- Spacing 72 mm
- Spindle 8 mm 9 mm
- Material/Colour Aluminium 01 _____
- Alu + Colour white _____
- Stainless steel 6204 _____

Order quantity _____ sets



Security fittings for framed doors



7330 30

- Aluminium
- Alu + Colour
- Stainless steel

Lever handle furniture
for framed fire doors*
Outer backplate 14 mm
Internal backplate 7 mm
PZ 72 mm
PZ 92 mm
8 mm □-spindle

suitable for cylinder projec-
tions from 12.5 to 15.5 mm

7530 30

- Aluminium
- Alu + Colour
- Stainless steel

Lever handle furniture
for framed fire doors*
Outer backplate 14 mm
Internal backplate 7 mm
PZ 72 mm
PZ 92 mm
9 mm □-spindle

suitable for cylinder projec-
tions from 12.5 to 15.5 mm



7330 31

- Aluminium
- Alu + Colour
- Stainless steel

Knob furniture
for framed fire doors*
Outer backplate 14 mm
Internal backplate 7 mm
PZ 72 mm
PZ 92 mm
8 mm □-spindle

suitable for cylinder projec-
tions from 12.5 to 15.5 mm

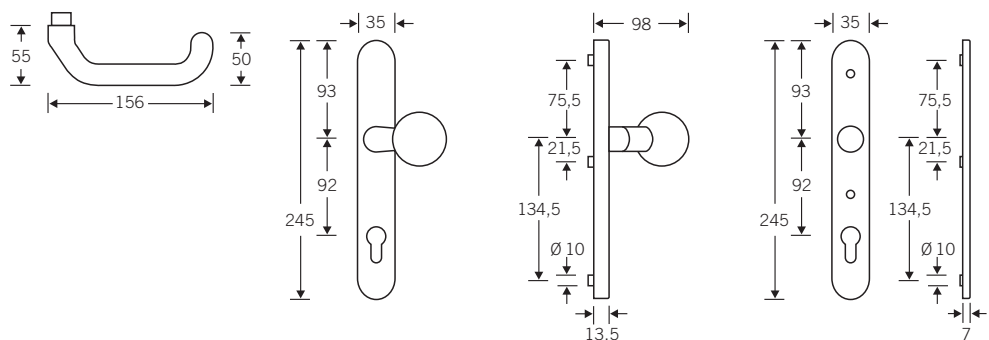
7530 31

- Aluminium
- Alu + Colour
- Stainless steel

Knob furniture
for framed fire doors*
Outer backplate 14 mm
Internal backplate 7 mm
PZ 72 mm
PZ 92 mm
9 mm □-spindle

suitable for cylinder projec-
tions from 12.5 to 15.5 mm

* acc. to German DIN standard



Security fittings for framed doors



7331 30

- Aluminium
- Alu + Colour
- Stainless steel

Lever handle furniture for framed fire doors*
 Outer backplate 14 mm
 Internal backplate 7 mm
 PZ 72 mm
 PZ 92 mm
 8 mm □-spindle

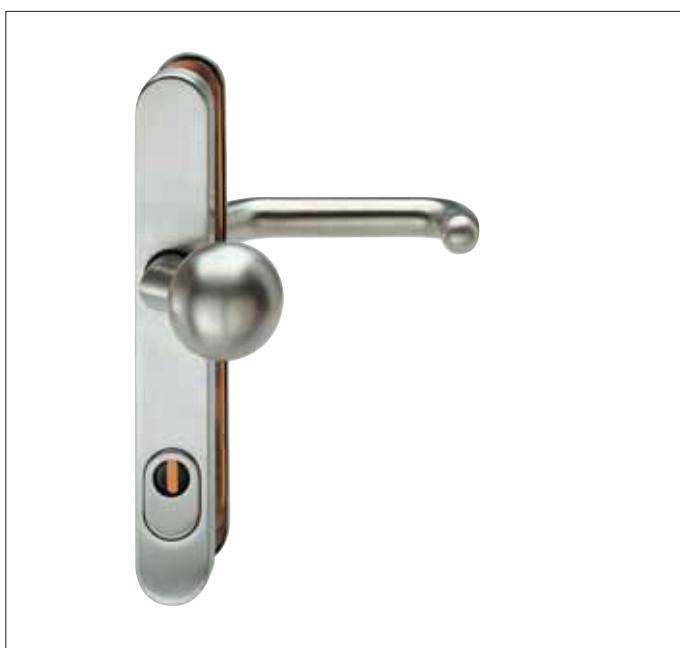
suitable for cylinder projections from 8 to 13 mm

7531 30

- Aluminium
- Alu + Colour
- Stainless steel

Lever handle furniture for framed fire doors*
 Outer backplate 14 mm
 Internal backplate 7 mm
 PZ 72 mm
 PZ 92 mm
 9 mm □-spindle

suitable for cylinder projections from 8 to 13 mm



7331 31

- Aluminium
- Alu + Colour
- Stainless steel

Knob furniture for framed fire doors*
 Outer backplate 14 mm
 Internal backplate 7 mm
 PZ 72 mm
 PZ 92 mm
 8 mm □-spindle

suitable for cylinder projections from 8 to 13 mm

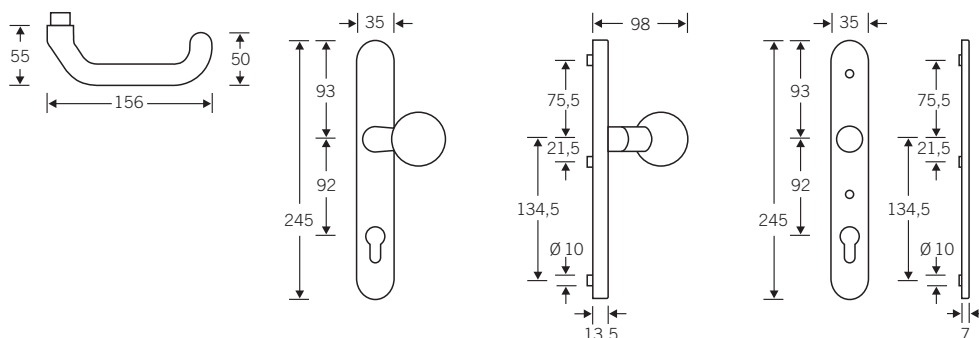
7531 31

- Aluminium
- Alu + Colour
- Stainless steel

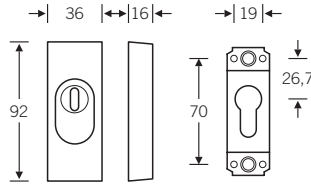
Knob furniture for framed fire doors*
 Outer backplate 14 mm
 Internal backplate 7 mm
 PZ 72 mm
 PZ 92 mm
 8 mm □-spindle

suitable for cylinder projections from 8 to 13 mm

* acc. to German DIN standard



Protection roses

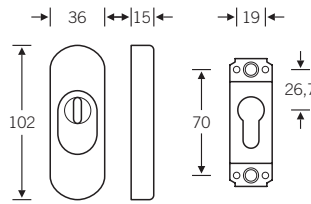


3244

- Aluminium
- Alu + Colour

suitable for cylinder projections from 8 to 15 mm

Screw hole-Ø 3.2 mm

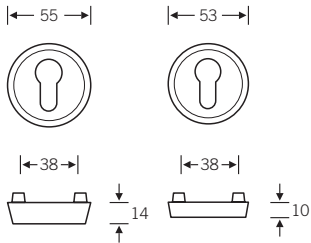


3246

- Aluminium
- Alu + Colour
- Stainless steel
- Bronze
- Brass

suitable for cylinder projections from 8 to 15 mm

Screw hole-Ø 3.2 mm



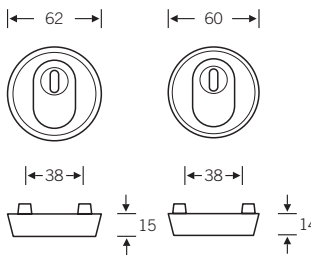
7391

7392

7391

7392

- Aluminium
- Alu + Colour
- Stainless steel



Stainless steel
Brass

Aluminium
Alu + Colour

7393

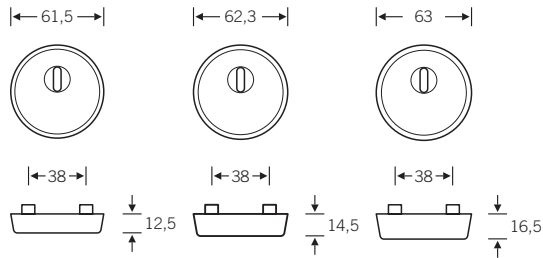
- Aluminium
- Alu + Colour
- Stainless steel

suitable for cylinder projections from 8 to 15 mm

Integrated safety engineering demands that the external dimensions of an armoured rose be 11 or 16 mm greater than its fixing centres. In particular, this needs to be borne in mind when ordering a mix of hardware.



Protection roses

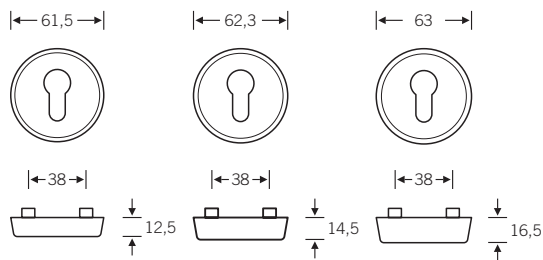


7395 1...

- Aluminium
- Alu + Colour
- AluGrau
- Stainless steel
- Bronze
- Brass

suitable for cylinder projections (CP) from 6.5 to 10.5 mm

Dimensions (mm)			
∅	height	CP	Item nos.
61.5	12.5	6.5	7395 1010
62.3	14.5	8.5	7395 1110
63.0	16.5	10.5	7395 1210



7395 0...

- Aluminium
- Alu + Colour
- AluGrau
- Stainless steel
- Bronze
- Brass

suitable for cylinder projections (CP) from 11 to 18 mm

Dimensions (mm)			
∅	height	CP*	Item nos.
61.5	12.5	12.5	7395 0010
62.3	14.5	14.5	7395 0110
63.0	16.5	16.5	7395 0210

* recommended cylinder projection ± 1.5 mm

