

Door knobs Knob backplates

4c

Overview	168
Technical information	170
Knob handles	171
Door knobs	175
Knob backplates	184
Pull handles on backplates	189

Overview



0802 Pages 171, 54, 272



0804 Page 171



0806 Page 172



0816 Pages 172, 46



0826 Page 174



0828 Page 174



0829 Pages 173,55



0844 Page 171



0877 Page 173



0880 Page 272



2302 Pages 175, 54, 273



2303 Page 175



2304 Page 180



2306 Page 176



2316 Pages 182, 46



2322 Page 182



2326 Page 180



2329 Pages 176, 55



2333 Pages 181, 47



2339 Page 181



2368 Page 183



2374 Page 177



2377 Page 178



2380 Pages 177, 272



2383 Page 183



2309 Pages 179, 55



2346 Pages 179, 54



2354 Page 179



2378 Page 178

● New products 09110

- Aluminium ■ Bronze
- AluGrey ■ Brass
- Stainless steel



1904 □
Page 187

1920 □
Page 187

1925 □ ■ ■
Pages 188, 265

1923 ■ ■
1964 ■ ■ ■ ■ ■ ■ ■ ●
Pages 184, 57, 271

1927 ■ ■
192703 ■ ■ ■ ■ ■ ■ ■ ●
Pages 184, 57, 271

1931 □
Page 186

1943 □
Page 186



1966 ■ ■
196303 ■ ■ ■ ■ ■ ■ ■ ●
Pages 185, 56

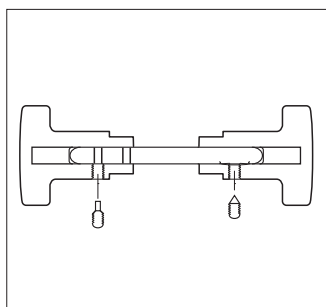
1970 ■ ■
197003 ■ ■ ■ ■ ■ ■ ■ ●
Pages 185, 56



2121 □
Page 189

2144 □
Page 189

Door knobs



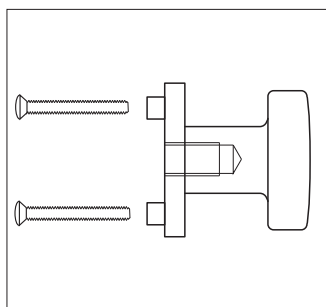
Knob handles

We supply knob handle sets as female pairs complete with a separate special-purpose FSB Stabil-spindle.

To assemble, first construct a male handle from the spindle and one of the female parts, carefully inserting the grub screw supplied through the appropriate borehole. The grub screw passes through the neck of the knob and locates into the spindle. For the male knob to be correctly assembled it is generally necessary for the head of the grub screw to lie flush with the outer surface of the neck of the knob.

Thereafter, fixing is as for the FSB Stabil-spindle.

Female knob handles can of course be fitted to rotate in a plate or rose on one side only using the customised FSB half-spindle.



Fixed knobs on roses

Door knobs can be riveted to roses to form dead knobs and can be fixed in one of two ways:

Concealed through fixing and concealed face fixing

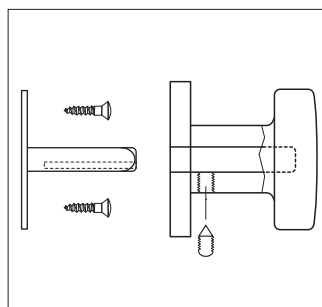
Concealed through fixing

Where concealed through fixing is required, we supply door knobs prepared for 5 mm bolts and reinforced with two lugs with standard 38 mm centres.

On the reverse, a lever handle rose of comparable technical design is used (FSB 1731 50.. and 1707 50..).

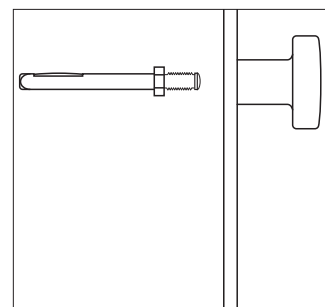
The M5 screws are 45 mm in length, making them suitable for doors 37-46 mm thick. For other door thicknesses, screws of the appropriate size should be used (FSB 0308 05..).

In this configuration, the door knob can be fastened to an FSB lever handle on the reverse by means of an FSB half-spindle screwed into the 12 mm threaded neck of the knob.



Concealed face fixing

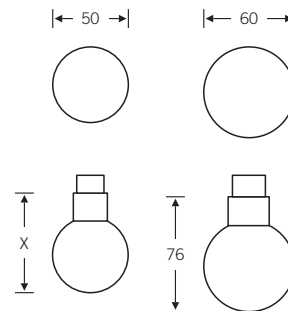
Concealed face fixing first involves screwing a steel base rose to the door. The dead knob is then positioned so as to precisely cover this and is secured with a grub screw.



Backplate with dead knob

FSB also supplies door knobs rigidly mounted on backplates. These feature a 12 mm internal thread to accommodate the FSB Stabil-half-spindle provided. Before fitting the plate, the spindle is firmly screwed into the shank of the knob. Backplate and spindle are then fitted to the door and the procedure is repeated on the reverse.

Knob handles



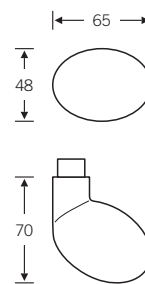
0802

- Aluminium (X = 70 mm)
- AluGrey (X = 70 mm)
- Stainless steel (X = 66 mm)
- Bronze (X = 65 mm)
- Brass (X = 65 mm)

0803

- Stainless Steel

8 mm □-hole

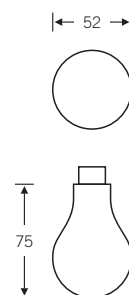


0804

- Aluminium
- Stainless steel

8 mm □-hole

4c

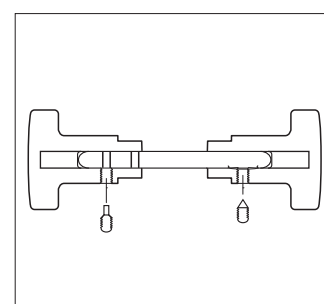


0844

- Aluminium
- AluGrey
- Stainless steel

8 mm □-hole

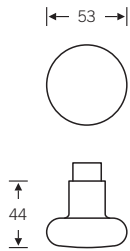
Design: Jasper Morrison



Turnable knob handles are made and supplied by FSB as female sections. Knobsets are created by joining two female parts together using the FSB Stabil spindle 0102.

Adaptor sleeve 8 on 7 mm cf. page 550.

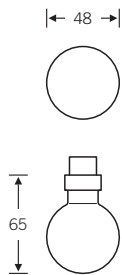
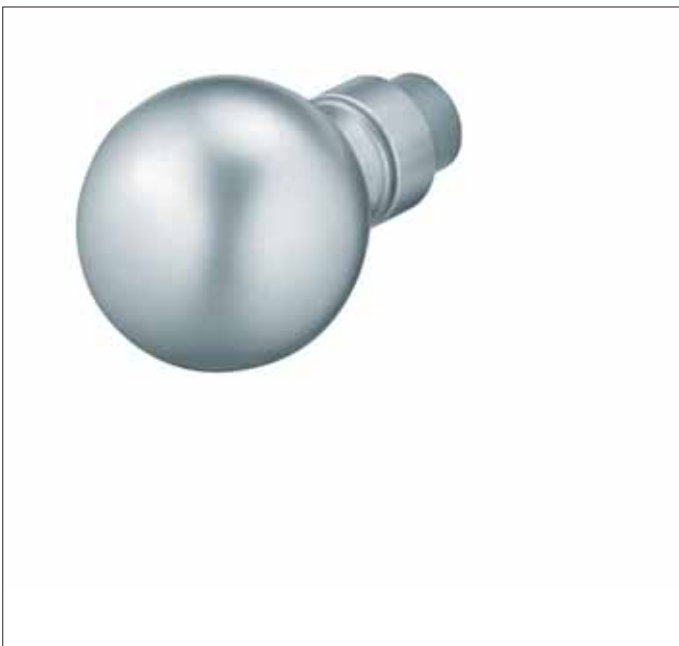
Knob handles



0806

Aluminium

8 + 10 mm □-hole



0816

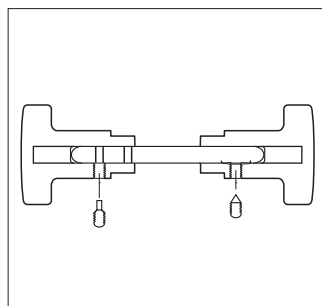
Aluminium

AluGrey

Bronze

8 mm □-hole

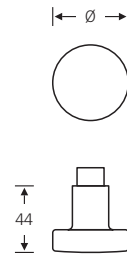
Design: Christoph Mäckler



Turnable knob handles are made and supplied by FSB as female sections. Knobsets are created by joining two female parts together using the FSB Stabil spindle 0102.

Adaptor sleeve 8 on 7 mm
cf. page 550.

Knob handles

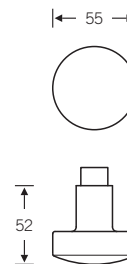
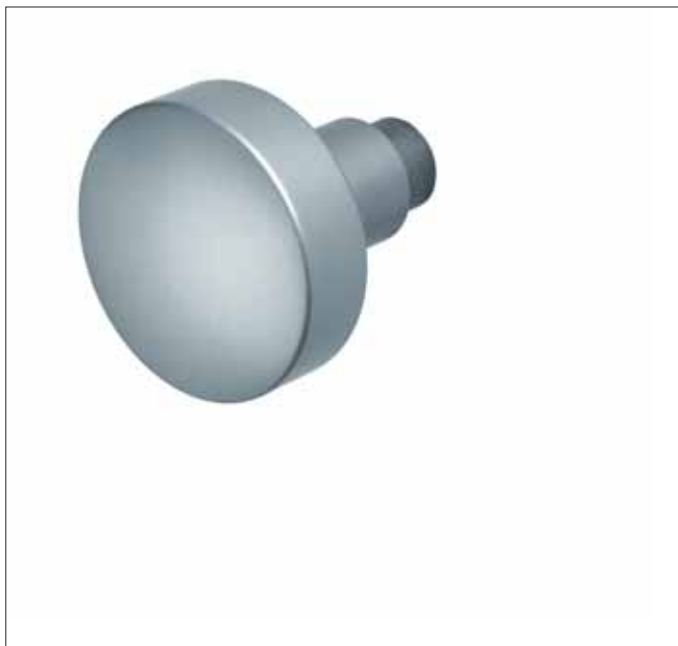


0829

- Aluminium (Ø = 50 mm)
- AluGrey (Ø = 50 mm)
- Stainless steel (Ø = 55 mm)
- Bronze (Ø = 50 mm)

8 +10 mm □-hole

4c

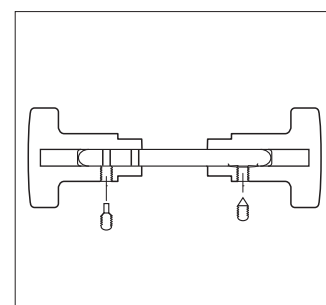


0877

- Aluminium
- AluGrey
- Stainless steel

8 mm □-hole

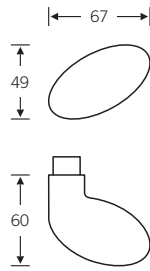
Design: Christoph Ingenhoven



Turnable knob handles are made and supplied by FSB as female sections. Knobsets are created by joining two female parts together using the FSB Stabil spindle 0102.

Adaptor sleeve 8 on 7 mm cf. page 550.

Knob handles

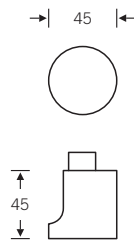


0826 00..

44 r.h. | 45 l.h.
 ■ Aluminium
 ■ AluGrey

8 mm □-hole

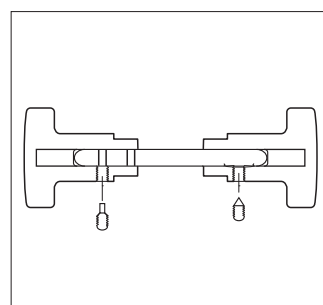
Design: Hartmut Weise



0828

■ Aluminium
 ■ Stainless steel

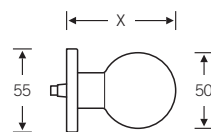
8 mm □-hole



Turnable knob handles are made and supplied by FSB as female sections. Knobsets are created by joining two female parts together using the FSB Stabil spindle 0102.

Adaptor sleeve 8 on 7 mm
 cf. page 550.

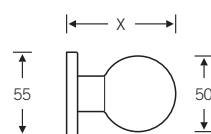
Door knobs



2302 06

- Aluminium (X = 77 mm)
- AluGrey (X = 77 mm)
- Stainless steel (X = 73 mm)
- Bronze (X = 72 mm)
- Brass (X = 72 mm)

Concealed through fixing
C:C screw holes 38 mm

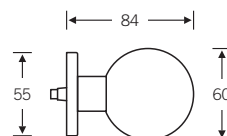


2302 05

- Aluminium (X = 77 mm)
- AluGrey (X = 77 mm)
- Stainless steel (X = 73 mm)
- Bronze (X = 72 mm)
- Brass (X = 72 mm)

Concealed face fixing

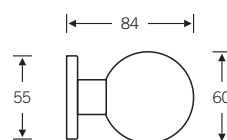
4c



2303 06

- Stainless steel

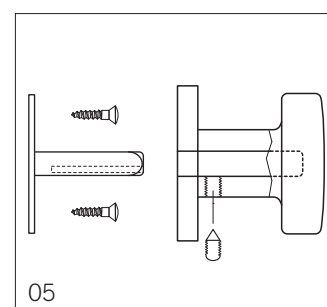
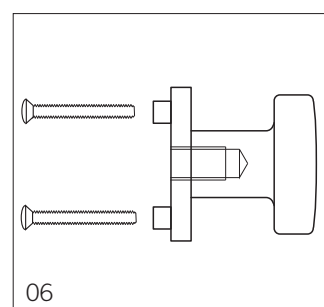
Concealed through fixing
C:C screw holes 38 mm



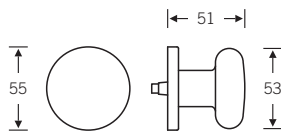
2303 05

- Stainless steel

Concealed face fixing



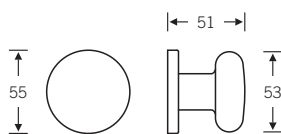
Door knobs



2306 06

Aluminium

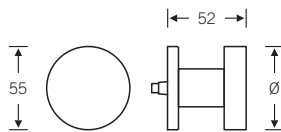
Concealed through fixing
C:C screw holes 38 mm



2306 05

Aluminium

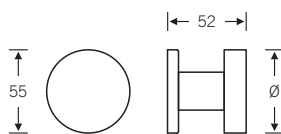
Concealed face fixing



2329 06

Aluminium (Ø = 50 mm)
AluGrey (Ø = 50 mm)
Stainless steel (Ø = 55 mm)
Bronze (Ø = 50 mm)

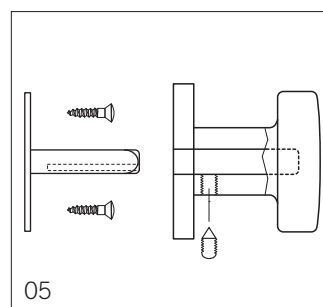
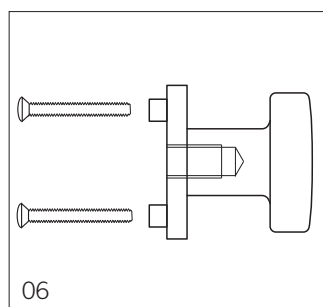
Concealed through fixing
C:C screw holes 38 mm



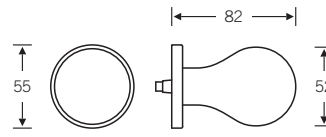
2329 05

Aluminium (Ø = 50 mm)
AluGrey (Ø = 50 mm)
Stainless steel (Ø = 55 mm)
Bronze (Ø = 50 mm)

Concealed face fixing



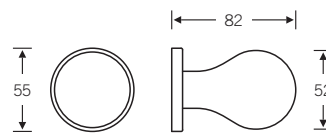
Door knobs



2374 06

- Aluminium
- AluGrey
- Stainless steel

Concealed through fixing
C:C screw holes 38 mm



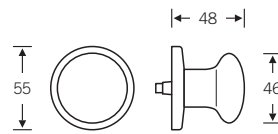
2374 05

- Aluminium
- AluGrey
- Stainless steel

Concealed face fixing

Design: Jasper Morrison

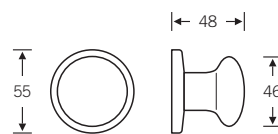
4c



2380 06

- Aluminium
- AluGrey
- Stainless steel
- Brass

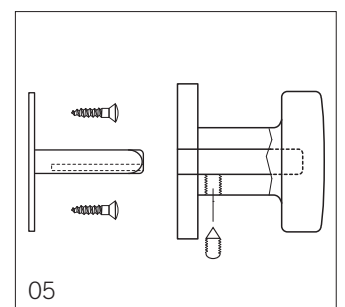
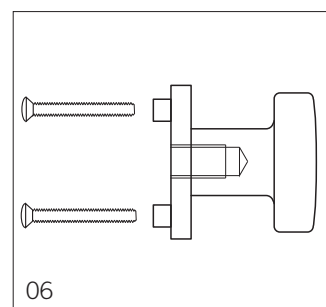
Concealed through fixing
C:C screw holes 38 mm



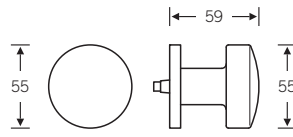
2380 05

- Aluminium
- AluGrey
- Stainless steel
- Brass

Concealed face fixing



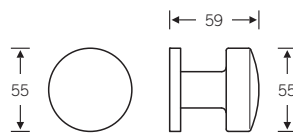
Door knobs



2377 06

- Aluminium
- AluGrey
- Stainless steel

Concealed through fixing
C:C screw holes 38 mm

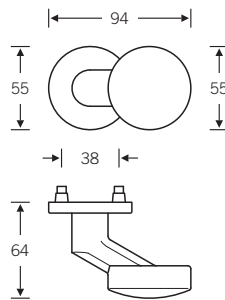


2377 05

- Aluminium
- AluGrey
- Stainless steel

Concealed face fixing

Design: Christoph Ingenhoven

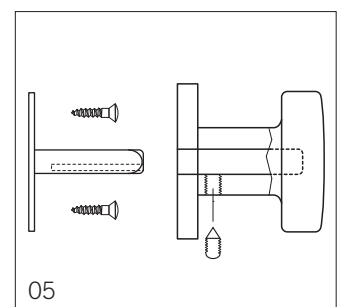
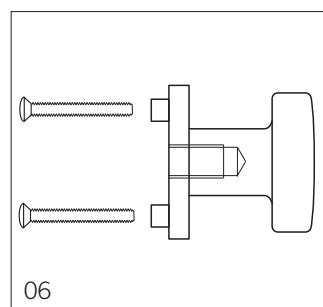


2378 06

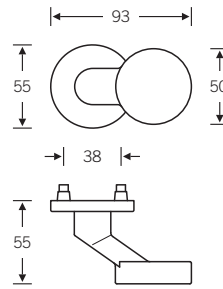
- Aluminium
- AluGrey
- Stainless steel

Concealed through fixing
C:C screw holes 38 mm

Design: Christoph Ingenhoven



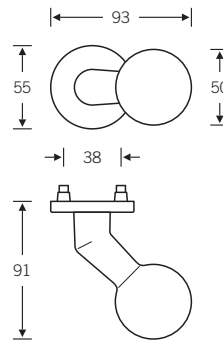
Door knobs



2309 06

- Aluminium
- AluGrey
- Stainless steel
- Bronze

Concealed through fixing
C:C screw holes 38 mm

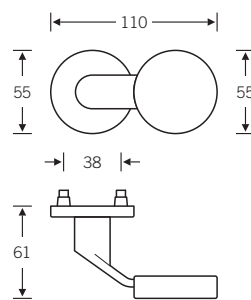


2346 06

- Aluminium
- AluGrey
- Stainless steel
- Bronze

Concealed through fixing
C:C screw holes 38 mm

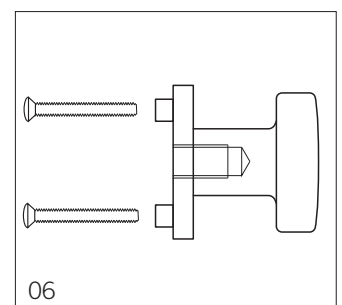
4c



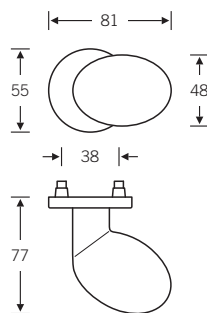
2354 06

- Stainless steel

Concealed through fixing
C:C screw holes 38 mm



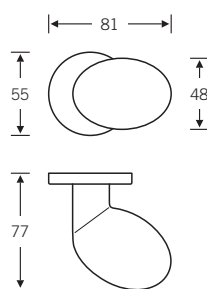
Door knobs



2304 06

- Aluminium
- Stainless steel

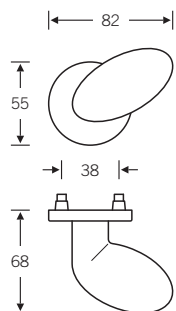
Concealed through fixing
C:C screw holes 38 mm



2304 05

- Aluminium
- Stainless steel

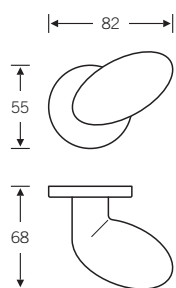
Concealed face fixing



2326 ..06

- 04 r.h. | 05 l.h.
- Aluminium
- AluGrey

Concealed through fixing
C:C screw holes 38 mm

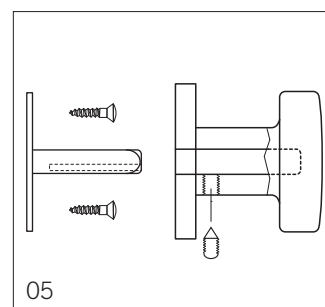
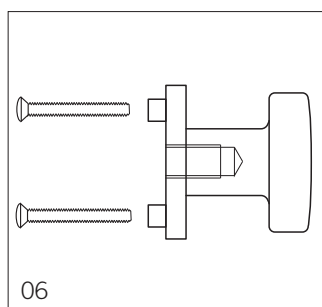


2326 ..05

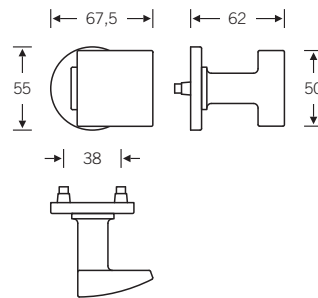
- 04 r.h. | 05 l.h.
- Aluminium
- AluGrey

Concealed face fixing

Design: Hartmut Weise



Door knobs



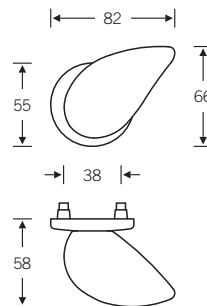
2333 06

- Aluminium
- AluGrey
- Stainless steel
- Bronze

Concealed through fixing
C:C screw holes 38 mm

Design: Hans Kollhoff

4c

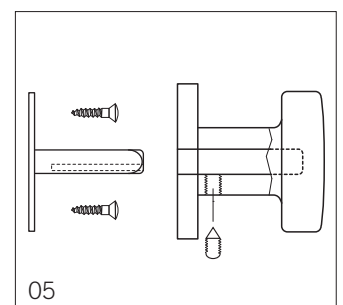
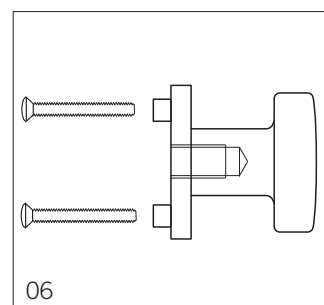


2339 ..06

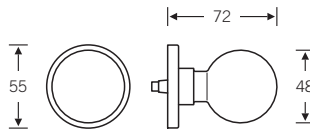
- 04 r.h. | 05 l.h.
- Aluminium

Concealed through fixing
C:C screw holes 38 mm

Design: Philippe Starck



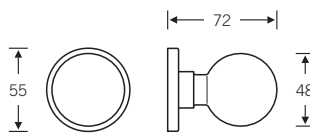
Door knobs



2316 06

- Aluminium
- AluGrey
- Bronze

Concealed through fixing
C:C screw holes 38 mm

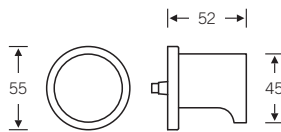


2316 05

- Aluminium
- AluGrey
- Bronze

Concealed face fixing

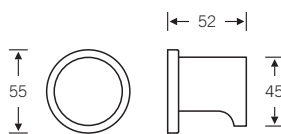
Design: Christoph Mäckler



2322 06

- Aluminium
- Stainless steel

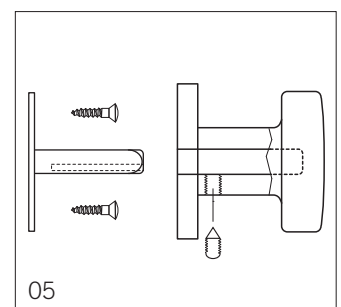
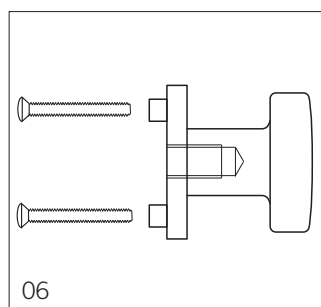
Concealed through fixing
C:C screw holes 38 mm



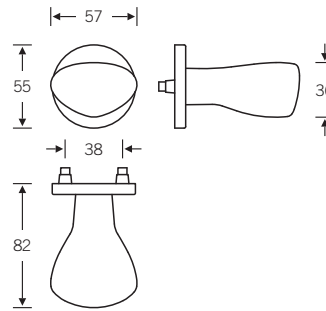
2322 05

- Aluminium
- Stainless steel

Concealed face fixing



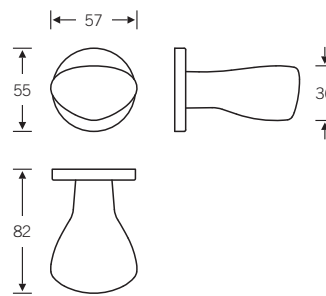
Door knobs



2368 06

- Aluminium
- AluGrey
- Stainless steel

Concealed through fixing
C:C screw holes 38 mm

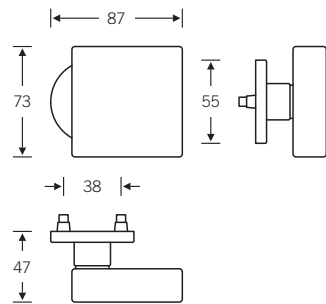


2368 05

- Aluminium
- AluGrey
- Stainless steel

Concealed face fixing

Design: Jahn/Lykouria



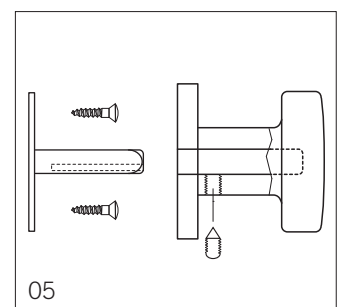
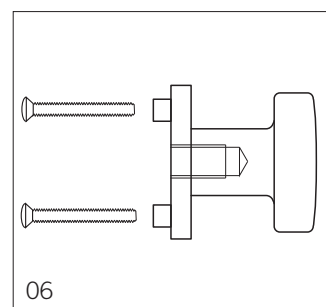
2383 06

- Aluminium
- Stainless steel

Concealed through fixing
C:C screw holes 38 mm

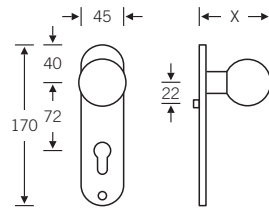
Suitable for backset bigger
than 40 mm

Design: Hadi Teherani



4c

Knob backplates

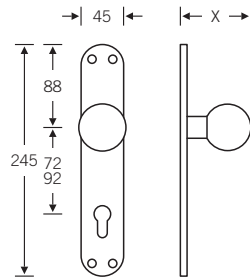


1923

- Aluminium (X = 77 mm)
- Stainless steel (X = 73 mm)

Distance 72 mm with visible fixing

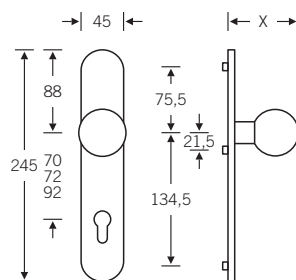
Fixing template: 0453
cf. page 572



1927

- Aluminium (X = 77 mm)
- Stainless steel (X = 73 mm)

Distance 72 + 92 mm with visible fixing



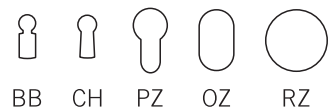
1927 03

- Aluminium (X = 77 mm)
- AluGrey (X = 77 mm)
- Stainless steel (X = 73 mm)
- Bronze (X = 72 mm)
- Brass (X = 72 mm)

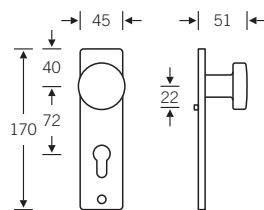
Distance 70, 72 + 92 mm with concealed fixing
Fixing template: FSB 0476,
cf. page 579

* except FSB 19.. 03

Keyholes



Knob backplates

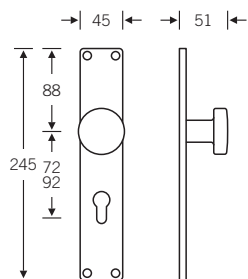


1966

- Aluminium
- Stainless steel

Distance 72 mm with visible fixing

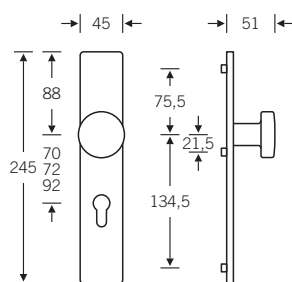
Fixing template: FSB 0453, cf. page 572



1970

- Aluminium
- Stainless steel

Distance 72 + 92 mm with visible fixing



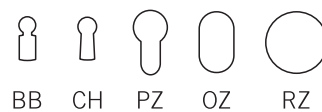
1970 03

- Aluminium
- AluGrey
- Stainless steel
- Bronze

Distance 70, 72 + 92 mm with concealed fixing
Fixing template: FSB 0476, cf. page 579

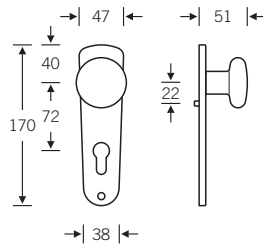
* except FSB 19.. 03

Keyholes



4c

Knob backplates

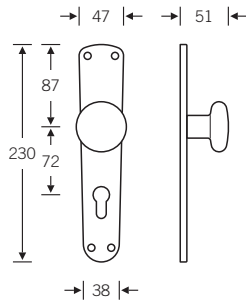


1931

Aluminium

Distance 72 mm

Fixing template: FSB 0453, cf. page 572

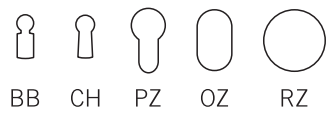


1943

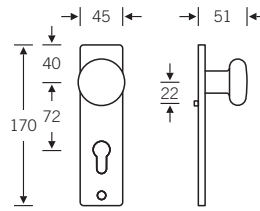
Aluminium

Distance 72 mm

Keyholes



Knob backplates



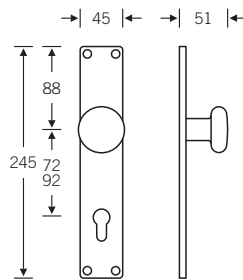
1904

■ Aluminium

Distance 72 mm

Fixing template: FSB 0453,
cf. page 572

4c

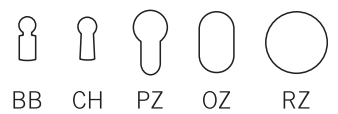


1920

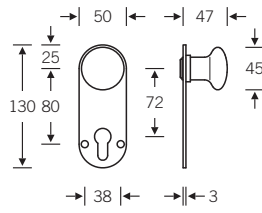
■ Aluminium

Distance 72 + 92 mm

Keyholes



Knob backplate



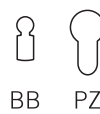
1925

- Aluminium
- Stainless Steel
- Brass

The knob backplate comes with a fixed knob and an FSB half-spindle. It is designed for door thicknesses from 38 - 42 mm. The furniture is visibly fixed to the door using M4 sleeve nuts and threaded bolts.

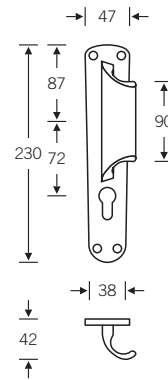
Design: Christoph Mäckler

Keyholes



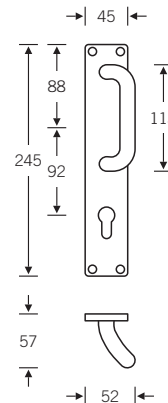
BB PZ

Pull handles on backplates



2121
 ■ Aluminium
 Distance 72 mm

4c



2144
 ■ Aluminium
 Distance 92 mm

* except FSB 2121

Keyholes

